

LAMPS / LEDS / OPTOELECTRONICS



Display Modules56

Flash Tubes71

Infrared Detectors46, 48, 50

Kits, LED59, 352

Lamps

Bayonet68-70

Bi-Pin Base68-70

Flange68-70

Groove.....68, 70

Holders67, 70

Incandescent.....68-70

Multicolor59

LED.....51, 52, 57-61, 64, 65

Neon.....69, 71

Screw68-71

Telephone Slide Base68

Wedge68, 69

Wire Terminal.....68-70

LED's

Bar Graph.....54, 64

Blinking.....60

LED's (cont.)

Blue59

Cable Assemblies.....63

Chip.....59, 61, 65

Display53, 55, 56

Dual Color.....51, 52, 58, 59, 61

Indicator52, 54, 56,

.....62, 64, 66, 67

Lamps51, 52, 57-61, 64, 65

Lenses63

Light Arrays54

Light Bars54, 64

Meters, Panel297

Mounts62-64

Rectangular.....52, 54, 58, 61, 65

Special Shaped58, 61

Sockets.....63, 159

Super Bright.....51, 57, 58, 64, 66

Surface Mount.....57, 59, 61

Optoelectronics

Devices.....46

Infrared Products.....46, 48, 50

Optocouplers48, 49

Optoisolators47-49

Photo Sensors

Optologic50

Reflective.....50

Photo Cells46, 71

Photo Transistors46, 48, 49

Surface Mount

LED's/Lamps.....51, 57, 59, 61

Optoelectronics47, 57, 59, 61

Optoisolators47

Manufacturers:

Augat159

CEL California Eastern

Laboratories46, 47

Chicago Miniature.....64, 65, 67-69

GC Electronics46

Industrial Devices Inc.....66

Jewell297

Kingbright58, 59

NEC.....46, 47, 56

QT Optoelectronics48-54

Rohm.....55-57

VCC.....63

**Main
Menu**

**New
This Issue**

Products

Vendors

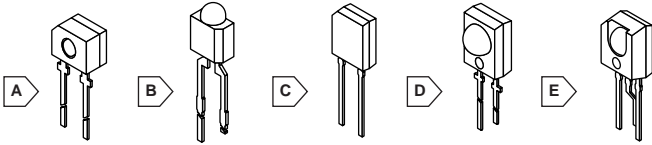
Service

**Spec
Sheets**

Help

Optoelectronics

CEL California Eastern Laboratories **NEC** OPTOELECTRONIC DEVICES



Infrared Emitting Diodes

This offering of NEC infrared emitting diodes gives the customer a wide choice in infrared products that will meet many industrial and consumer applications. Applications for these devices would be for remote control products, smoke detectors, optical encoders, and many more.

For quantities greater than listed, call for quote.

MOUSER STOCK NO.	Fig.	V _F (V) (Max.)	t _{on} /t _{off} (μs)	P _D (mW)	Wave-length λ _p (nm)	Forward Current (Max.) (mA)	Output Power (Typ.) (mW)	Price Each	
								1	100
551-SE308	A	1.4	1.0/1.0	100	940	50.0	0.85/sr	.35	.34
551-SE310	B	1.4	1.0/1.0	100	940	60.0	11.0/sr	.41	.40

Photo Transistors

This offering of NEC phototransistors give customer a choice of packages for use with the infrared diodes above. Applications include photo sensor, optical encoder, and various photo sensors.

For quantities greater than listed, call for quote.

MOUSER STOCK NO.	Fig.	V _{CEO} (Max.) (V)	I _{CEO} (Max.) (nA)	Photo Current		V _{CE} (sat) (Max.) (V)	Typical Rise/Fall t _r /t _f (μs)	Price Each	
				Min.	Typ.			1	100
551-PH108	A	30	100	0.3	0.9	0.3	--/40	.29	.28
551-PH108A	A	30	100	0.2	0.6	0.3	15/15	.29	.28
551-PH110	B	30	100	0.2	0.4	0.3	20/20	.46	.44

Photo Diodes

This offering of NEC photo diodes with a PIN structure have a wide photo-receiving area and high speed response, enabling applications for various remote controlling applications. The resin material itself used for the package has a filter effect to pass only infrared light.

For quantities greater than listed, call for quote.

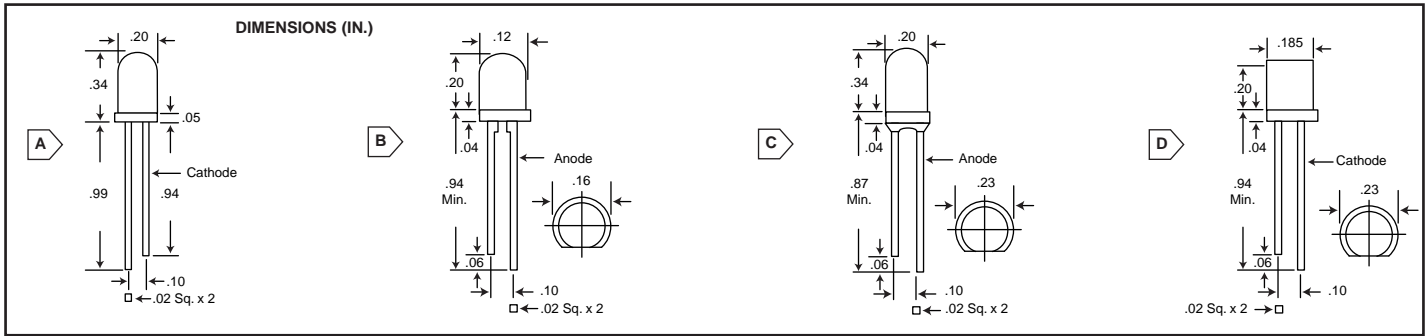
MOUSER STOCK NO.	Fig.	V _R (Max.) (V)	t _r /t _f (ns) (Typ)	P _D (mW)	Wave-length (nm)	I _R Dark Current (nA)	Spectral Sensitivity (nA/lx) (Min/Typ)	Price Each	
								1	100
551-PH302	C	32	125/125	150	940	30	35/50	.80	.78
551-PH302C	C	32	125/125	150	990	30	25/32	.86	.84
551-PH310	D	32	120/120	150	990	10	25/32	.62	.61
551-PH320	D	32	30/30	100	940	10	.036/0.044	.59	.58

Integrated Circuit Photo Diodes

These NEC IC photo diodes are a digital-output light receiving IC, integrating a photo diode and a signal processing circuit in one chip. This simplifies the circuit configuration. They are ideally suited for the application of the light-receiving module internal elements of a simplified optical transmission link.

For quantities greater than listed, call for quote.

MOUSER STOCK NO.	Fig.	V _{CC} (Max.) (V)	t _r /t _f (ns) (Typ)	P _D (mW)	Output Voltage (Low/High)	Supply Current (Low/High) (mA)	Hysteresis (Typ)	Price Each	
								1	100
551-PH502HC	E	17	100/50	250	0.15/4.9	2.5/1.0	0.7	1.10	1.07
551-PH502HR	E	17	100/50	250	0.15/4.9	2.5/1.0	0.7	1.10	1.07



LED LAMPS

Infrared Emitting Diodes

For quantities greater than listed, call for quote.

MOUSER STOCK NO.	Fig.	Lens Color	Forward V		Radiant Power		Peak Wavelength (nm)	Viewing Angle	Price Each		
			Typical	Maximum	Minimum	Typical			1	100	500
351-2201	A	Blue	1.2V	1.5V	0.5mW	10.5mW	940	30°	1.18	.91	.83
351-1155	B	Wtr Clr	1.3V	1.7V	8.0mW	13mW	940	36°	1.15	.95	.85
351-1153	C	Wtr Clr	1.3V	1.7V	10mW	16mW	940	22°	1.29	.99	.89
351-1154	D	Wtr Clr	1.3V	1.7V	7.5mW	12mW	940	60°	1.09	.82	.75

LED LAMPS

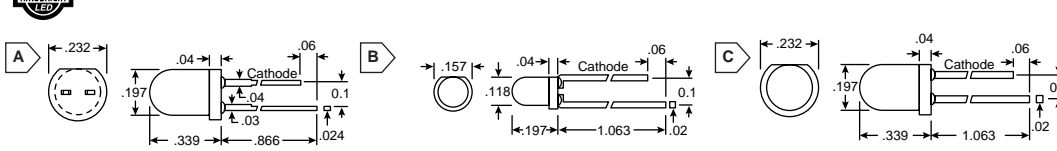


Photo Transistor

For quantities greater than listed, call for quote.

MOUSER STOCK NO.	Fig.	Breakdown Voltage		Dark Current Maximum	Rise/Fall Time Typical	On-State Collector Current		Collector-Emitter Saturation Breakdown Voltage	Power Dissipation @ 25°C	Price Each		
		CEO	ECO			Min.	Max.			1	100	500
604-L51P3C	A	30V	5V	100nA	3us	1mA	8mA	0.8V	100mW	.46	.36	.31

Infrared Diodes

For quantities greater than listed, call for quote.

MOUSER STOCK NO.	Fig.	Lens Color	Forward Voltage		Radiant Power		Reverse Current	Peak Wavelength (nm)	Viewing Angle	Price Each		
			Typ.	Max.	Min.	Typ.				Max.	1	100
604-L34SF4C	B	Wtr Clear	1.4	1.7	3.2	7.0	10uA	880	30°	.68	.55	.47
604-L53SF4B	C	Blue	1.4	1.7	5.0	10.0	10uA	880	30°	.68	.55	.47
604-L53SF4C	C	Wtr Clear	1.4	1.7	5.0	10.0	10uA	880	30°	.68	.55	.47

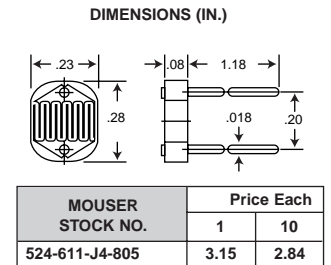
CDS PHOTO CELL

Applications:

- Light and lamp controls
- Automatic grain feeders
- Security lighting
- "Electric - Eyes"

Specifications:

- 12K Ω min. @ 1F/C/DL
- 250Ω @ 100F/C/DL
- Maximum power dissipation: 75mW



OPTOISOLATORS

Features:

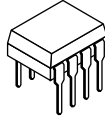
- High isolation voltage
- High current transfer ratio
- High speed switching
- Low cost

Applications:

Can be used as an interface circuit for various instrumentations and control equipment in the following:

- AC line / digital logic
- Digital logic / digital logic
- Twisted pair line receiver
- Telephone / telegraph line receiver

NEW!

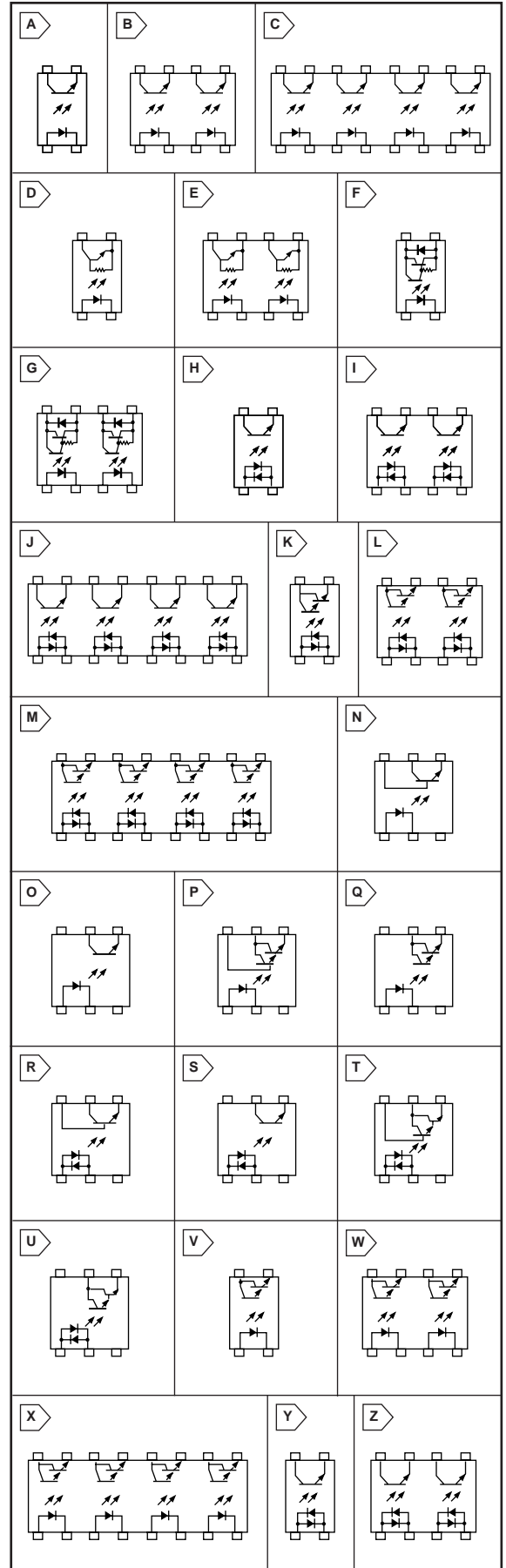


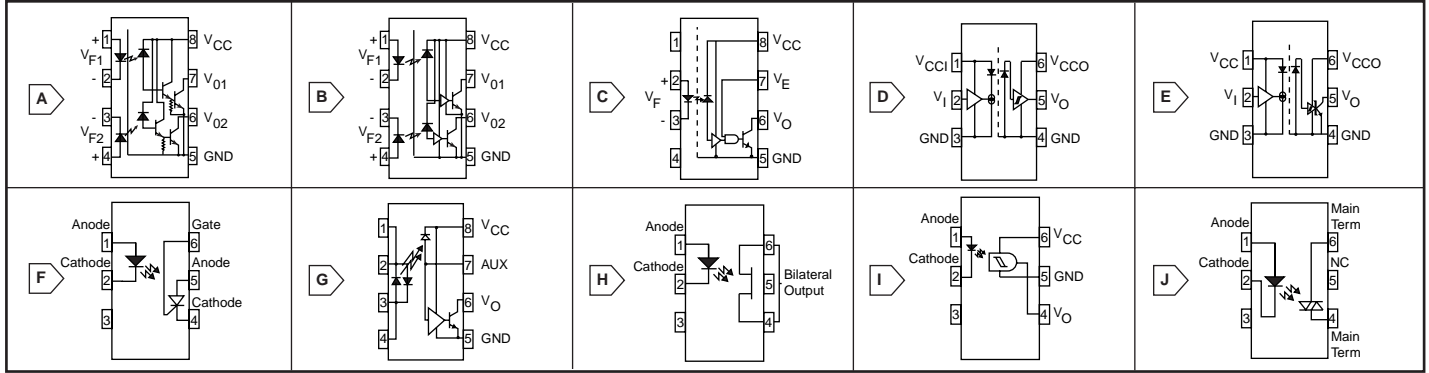
Safety Standard: UL = UL Recognized
UL/VDE = UL Recognized and VDE Recognized

◆ **Surface Mount Devices**

For quantities greater than listed, call for quote.

MOUSER STOCK NO.	Fig.	Pkg.	Safety Standard	I _F (mA)	BV _{CEO} (V)	V _{ECO} (V)	Typical Rise/Fall t _r /t _f (μs)	Current Transfer Ratio %	Price Each		
									1	100	500
551-PS2501-1	A	DIP-4	UL	80	80	7	3.0/5.0	80 to 600	.37	.36	.35
551-PS2501-2	B	DIP-8	UL	80	80	7	3.0/5.0	80 to 600	.74	.73	.70
551-PS2501-4	C	DIP-16	UL	80	80	7	3.0/5.0	80 to 600	1.49	1.46	1.40
◆ 551-PS2501L-1	A	SOP-4	UL	80	80	7	3.0/5.0	80 to 600	.41	.40	.39
◆ 551-PS2501L-2	B	SOP-8	UL	80	80	7	3.0/5.0	80 to 600	.82	.80	.77
◆ 551-PS2501L-4	C	SOP-16	UL	80	80	7	3.0/5.0	80 to 600	1.64	1.61	1.54
551-PS2502-1	A	DIP-4	UL	80	40	6	100/100	200 to 2000	.55	.54	.52
551-PS2502-2	B	DIP-8	UL	80	40	6	100/100	200 to 2000	1.09	1.08	1.04
551-PS2502-4	C	DIP-16	UL	80	40	6	100/100	200 to 2000	2.19	2.15	2.06
◆ 551-PS2502L-1	A	SOP-4	UL	80	40	6	100/100	200 to 2000	.59	.58	.56
◆ 551-PS2502L-2	B	SOP-8	UL	80	40	6	100/100	200 to 2000	1.17	1.15	1.10
◆ 551-PS2502L-4	C	SOP-16	UL	80	40	6	100/100	200 to 2000	2.26	2.19	2.12
551-PS2503-1	D	DIP-4	UL	80	40	0.6	30/30	100 to 400	.59	.58	.56
551-PS2503-2	E	DIP-8	UL	80	40	0.6	30/30	100 to 400	1.17	1.15	1.10
551-PS2505-1	H	DIP-4	UL	80	40	7	3.0/5.0	80 to 600	.55	.54	.52
551-PS2505-2	I	DIP-8	UL	80	40	7	3.0/5.0	80 to 600	1.09	1.08	1.04
551-PS2505-4	J	DIP-16	UL	80	40	7	3.0/5.0	80 to 600	2.19	2.15	2.06
◆ 551-PS2505L-1	H	SOP-4	UL	80	40	7	3.0/5.0	80 to 600	.59	.58	.56
◆ 551-PS2505L-2	I	SOP-8	UL	80	40	7	3.0/5.0	80 to 600	1.17	1.15	1.10
◆ 551-PS2505L-4	J	SOP-16	UL	80	40	7	3.0/5.0	80 to 600	1.99	1.93	1.87
551-PS2506-1	K	DIP-4	UL	80	40	6	100/100	200 to 2000	.61	.60	.57
551-PS2506-2	L	DIP-8	UL	80	40	6	100/100	200 to 2000	1.21	1.19	1.14
551-PS2506-4	M	DIP-16	UL	80	40	6	100/100	200 to 2000	2.42	2.38	2.29
◆ 551-PS2506L-1	K	SOP-4	UL	80	40	6	100/100	200 to 2000	.65	.64	.61
◆ 551-PS2506L-2	L	SOP-8	UL	80	40	6	100/100	200 to 2000	1.29	1.26	1.22
◆ 551-PS2506L-4	M	SOP-16	UL	80	40	6	100/100	200 to 2000	2.52	2.44	2.37
551-PS2532-1	F	DIP-4	UL	80	300	6	100/100	1500 to 6500	.85	.82	.79
551-PS2532-1V	F	DIP-4	UL/VDE	80	300	6	100/100	1500 to 6500	.87	.84	.81
551-PS2532-2	G	DIP-8	UL	80	300	6	100/100	1500 to 6500	1.89	1.84	1.78
◆ 551-PS2532L-1	F	SOP-4	UL	80	300	6	100/100	1500 to 6500	.86	.83	.80
◆ 551-PS2532L-2	G	SOP-8	UL	80	300	6	100/100	1500 to 6500	1.93	1.87	1.81
551-PS2533-1	F	DIP-4	UL	80	350	6	100/100	1500 to 6500	1.35	1.32	1.27
551-PS2533-1V	F	DIP-4	UL/VDE	80	350	6	100/100	1500 to 6500	1.44	1.40	1.35
551-PS2533-2	G	DIP-8	UL	80	350	6	100/100	1500 to 6500	2.70	2.65	2.54
◆ 551-PS2533L-1	F	SOP-4	UL	80	350	6	100/100	1500 to 6500	1.41	1.36	1.32
◆ 551-PS2533L-2	G	SOP-8	UL	80	350	6	100/100	1500 to 6500	2.78	2.69	2.61
551-PS2561-1V	A	DIP-4	UL/VDE	80	40	7	3.0/5.0	80 to 400	.41	.40	.39
551-PS2561-2V	B	DIP-8	UL/VDE	80	40	7	3.0/5.0	80 to 400	1.56	1.53	1.48
551-PS2562-1V	A	DIP-4	UL/VDE	80	40	6	100/100	200 to 2000	1.05	1.02	.99
551-PS2562-2V	B	DIP-8	UL/VDE	80	40	6	100/100	200 to 2000	2.07	2.03	1.96
551-PS2565-1V	H	DIP-4	UL/VDE	80	40	7	3.0/5.0	80 to 400	1.04	1.02	.98
551-PS2565-2V	I	DIP-8	UL/VDE	80	40	7	3.0/5.0	80 to 400	2.07	2.03	1.96
551-PS2566-1V	K	DIP-4	UL/VDE	80	40	6	100/100	200 to 2000	.84	.82	.79
551-PS2566-2V	L	DIP-8	UL/VDE	80	40	6	100/100	200 to 2000	2.39	2.34	2.25
551-PS2601	N	DIP-6	UL	80	80	7	3.0/5.0	80 to 600	.62	.59	.54
◆ 551-PS2601L	N	SOP-6	UL	80	80	7	3.0/5.0	80 to 600	.63	.60	.55
551-PS2602	O	DIP-6	UL	80	80	7	3.0/5.0	80 to 600	.69	.68	.66
◆ 551-PS2602L	O	SOP-6	UL	80	80	7	3.0/5.0	80 to 600	.63	.62	.59
551-PS2603	P	DIP-6	UL	80	40	6	100/100	200 to 2000	.74	.73	.70
◆ 551-PS2603L	P	SOP-6	UL	80	40	6	100/100	200 to 2000	.78	.76	.74
◆ 551-PS2604L	Q	SOP-6	UL	80	40	6	100/100	200 to 2000	.78	.76	.74
551-PS2605	R	DIP-6	UL	80	80	7	3.0/5.0	80 to 600	.75	.71	.67
◆ 551-PS2605L	R	SOP-6	UL	80	80	7	3.0/5.0	80 to 600	.76	.72	.68
551-PS2606	S	DIP-6	UL	80	80	7	3.0/5.0	80 to 600	.80	.78	.75
◆ 551-PS2606L	S	SOP-6	UL	80	80	7	3.0/5.0	80 to 600	.85	.82	.80
◆ 551-PS2607L	T	SOP-6	UL	80	40	6	100/100	200 to 2000	.84	.82	.79
551-PS2608	U	DIP-6	UL	80	40	6	100/100	200 to 2000	.80	.78	.75
◆ 551-PS2608L	U	SOP-6	UL	80	40	6	100/100	200 to 2000	.85	.82	.80
551-PS2651-V	N	DIP-6	UL/VDE	80	80	7	3.0/5.0	50 to 400	.77	.75	.72
551-PS2652-V	O	DIP-6	UL/VDE	80	80	7	3.0/5.0	50 to 400	.78	.76	.73
551-PS2653-V	P	DIP-6	UL/VDE	80	40	6	3.0/5.0	200 to 2000	.86	.84	.81
551-PS2654-V	Q	DIP-6	UL/VDE	80	40	6	3.0/5.0	200 to 2000	.86	.84	.81
◆ 551-PS2701-1	A	SOP-4	UL	50	40	6	3.0/5.0	50 to 300	.57	.56	.54
◆ 551-PS2701-2	B	SOP-8	UL	50	40	6	3.0/5.0	50 to 300	1.13	1.11	1.07
◆ 551-PS2702-1	V	SOP-4	UL	50	40	6	200/200	200 to 2000	.61	.60	.57
◆ 551-PS2702-2	W	SOP-8	UL	50	40	6	200/200	200 to 2000	1.21	1.19	1.14
◆ 551-PS2702-4	X	SOP-16	UL	50	40	6	200/200	200 to 2000	2.42	2.38	2.29
◆ 551-PS2703-1	A	SOP-4	UL	50	120	6	10/10	50 to 400	.59	.58	.56
◆ 551-PS2703-2	B	SOP-8	UL	50	120	6	10/10	50 to 400	1.17	1.15	1.10
◆ 551-PS2705-1	H	SOP-4	UL	50	40	6	3.0/5.0	50 to 300	.57	.56	.54
◆ 551-PS2705-2	I	SOP-8	UL	50	40	6	3.0/5.0	50 to 300	1.13	1.11	1.07
◆ 551-PS2705-4	J	SOP-16	UL	50	40	6	3.0/5.0	50 to 300	2.27	2.22	2.14
◆ 551-PS2706-1	K	SOP-4	UL	50	40	6	200/200	200 to 2000	.68	.67	.65
◆ 551-PS2706-2	L	SOP-8	UL	50	40	6	200/200	200 to 2000	1.37	1.34	1.29
◆ 551-PS2706-4	M	SOP-16	UL	50	40	6	200/200	200 to 2000	2.74	2.69	2.58
◆ 551-PS2707-1	Y	SOP-4	UL	50	120	6	10/10	50 to 400	.70	.69	.66
◆ 551-PS2707-2	Z	SOP-8	UL	50	120	6	10/10	50 to 400	1.41	1.38	1.33
◆ 551-PS2801-1	A	SOP-4	None	50	80	6	3.0/5.0	80 to 600	1.13	1.10	1.06
◆ 551-PS2801-4	C	SOP-16	UL	50	80	6	3.0/5.0	80 to 600	5.02	4.87	4.73
◆ 551-PS2805-1	H	SOP-4	None	50	80	6	3.0/5.0	80 to 600	1.23	1.20	1.16
◆ 551-PS2805-4	J	SOP-16	UL	50	80	6	3.0/5.0	80 to 600	5.66	5.49	5.32
◆ 551-PS2806-1	K	SOP-4	None	50	40	6	200/200	200 to 2000	1.13	1.10	1.06





*UL Recognized

OPTOCOUPLER PRODUCTS

Dual Split Photo Darlington Output

For quantities greater than listed, call for quote.

MOUSER STOCK NO.		Fig.	Isolation Voltage (VRMS)	V _{CC} (V)	Typical Rise/Fall (μSEC)	Price Each		
Mfr.	Industry No.					1	100	500
* 512-	HCPL-2730	A	2.5KV	7.0	20/35	2.07	1.76	1.61
* 512-	HCPL-2731	A	2.5KV	18.0	2/10	2.12	1.80	1.65

Dual Very High-Speed Logic Gate Output

For quantities greater than listed, call for quote.

MOUSER STOCK NO.		Fig.	Isolation Voltage (VRMS)	V _{CC} (V)	Typical Rise/Fall (μSEC)	Price Each		
Mfr.	Industry No.					1	100	500
* 512-	HCPL-2630	B	2.5KV	5.5	.075/.075	2.82	2.40	2.20
* 512-	HCPL-2631	B	2.5KV	5.5	.075/.075	3.06	2.60	2.38

Very High-Speed Logic Gate Output

For quantities greater than listed, call for quote.

MOUSER STOCK NO.		Fig.	Isolation Voltage (VRMS)	V _{CC} (V)	Typical Rise/Fall (μSEC)	Price Each		
Mfr.	Industry No.					1	100	500
* 512-	6N137	C	2.5KV	5.5	.075/.075	1.06	.90	.82
* 512-	HCPL-2601	C	2.5KV	5.5	.075/.075	1.62	1.38	1.26

High-Speed Logic-to-Logic (Optologic™)

For quantities greater than listed, call for quote.

MOUSER STOCK NO.		Fig.	Isolation Voltage (VRMS)	V _{OL} (V)	Typical Rise/Fall (μSEC)	Price Each		
Mfr.	Industry No.					1	100	500
* 512-	74OL6000	D	5.3KV	0.6	0.1/0.1	2.94	2.50	2.29
* 512-	74OL6001	D	5.3KV	0.6	0.1/0.1	2.94	2.50	2.29
* 512-	74OL6010	E	5.3KV	0.6	0.12/0.18	2.94	2.50	2.29
* 512-	74OL6011	E	5.3KV	0.6	0.12/0.18	2.94	2.50	2.29

Photo SCR Output

For quantities greater than listed, call for quote.

MOUSER STOCK NO.		Fig.	Isolation Voltage (VRMS)	Blocking Voltage	Typical t _{on} (μSEC)	Price Each		
Mfr.	Industry No.					1	100	500
* 512-	4N39	F	5.3KV	200.0	1.0	.99	.84	.77
* 512-	4N40	F	5.3KV	200.0	1.0	1.25	1.06	.97
* 512-	H11C1	F	5.3KV	200.0	50	.94	.80	.73
* 512-	H11C2	F	5.3KV	200.0	50	.89	.76	.70
* 512-	H11C3	F	5.3KV	200.0	50	.85	.72	.66
* 512-	H11C4	F	5.3KV	400.0	50	.99	.84	.77
* 512-	H11C5	F	5.3KV	400.0	50	.94	.80	.73
* 512-	H11C6	F	5.3KV	400.0	50	.89	.76	.70

INFRARED INTERRUPTER SWITCHES

Photo Transistor

For quantities greater than listed, call for quote.

MOUSER STOCK NO.		Fig.	Aperture Width (In.) LED/Sensor	Min I _C On @ 20mA/5V	BV CEO (V)	Price Each		
Mfr.	Industry No.					1	100	500
512-	H21A1	A	.035 / .035	1.0mA	30	1.06	.90	.82
512-	H21A2	A	.035 / .035	2.0mA	30	1.10	.94	.86
512-	H22A1	B	.035 / .035	1.0mA	30	1.06	.90	.82
512-	H22A2	B	.035 / .035	2.0mA	30	1.10	.94	.86
512-	QVA11134	C	.050 / .050	1.0mA	30	1.10	.94	.86
512-	QVA11234	C	.050 / .050	1.0mA	30	1.10	.94	.86
512-	QVA11334	C	.050 / .050	1.0mA	30	1.10	.94	.86
512-	QVB11134	D	.050 / .050	1.0mA	30	1.10	.94	.86
512-	QVB11234	D	.050 / .050	1.0mA	30	1.10	.94	.86
512-	QVB11334	D	.050 / .050	1.0mA	30	1.10	.94	.86
512-	QVE11233	E	.080 / .080	0.5mA	30	1.15	.98	.90

Photo Darlington

For quantities greater than listed, call for quote.

MOUSER STOCK NO.		Fig.	Aperture Width (In.) LED/Sensor	Min I _C On @ 10mA/1.5V	BV CEO (V)	Price Each		
Mfr.	Industry No.					1	100	500
512-	H21B1	F	.035 / .035	7.5mA	30	1.81	1.54	1.41
512-	H21B2	F	.035 / .035	14.0mA	30	2.04	1.74	1.59
512-	H21B3	F	.035 / .035	25.0mA	30	2.30	1.96	1.79
512-	H21B4	F	.035 / .035	7.5mA	55	3.01	2.56	2.34
512-	H22B1	G	.035 / .035	14.0mA	30	1.83	1.56	1.43
512-	H22B2	G	.035 / .035	25.0mA	30	2.96	2.52	2.31
512-	QCK4	H	N/A	3.0mA	30	1.88	1.60	1.46

AC Line Monitor Logic-Out

For quantities greater than listed, call for quote.

MOUSER STOCK NO.		Fig.	Isolation Voltage (VRMS)	BV CEO (V)	Typical Rise/Fall (mSEC)	Price Each		
Mfr.	Industry No.					1	100	500
* 512-	MID400	G	2.25KV	5.5	1.0/1.0	3.17	2.70	2.47

Bilateral Analog FET Output

For quantities greater than listed, call for quote.

MOUSER STOCK NO.		Fig.	Isolation Voltage (VRMS)	V _{BR} (V)	Typical t _{on} /t _{off} (μSEC)	Price Each		
Mfr.	Industry No.					1	100	500
* 512-	H11F1	H	5.3KV	30.0	25/25	2.94	2.50	2.29
* 512-	H11F2	H	5.3KV	30.0	25/25	2.59	2.20	2.01
* 512-	H11F3	H	5.3KV	15.0	25/25	1.65	1.40	1.28

Schmitt Trigger Output

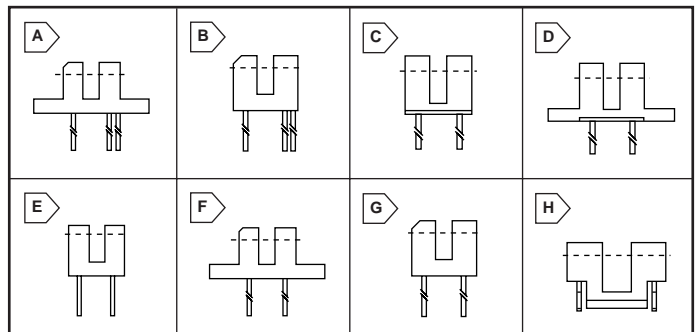
For quantities greater than listed, call for quote.

MOUSER STOCK NO.		Fig.	Isolation Voltage (VRMS)	V _{CC} (V)	Typical t _{on} /t _{off} (μSEC)	Price Each		
Mfr.	Industry No.					1	100	500
* 512-	H11L1	I	5.3KV	15.0	1.0/2.0	.94	.80	.73
* 512-	H11L2	I	5.3KV	15.0	1.0/2.0	.71	.60	.55
* 512-	H11L3	I	5.3KV	15.0	1.0/2.0	.82	.70	.64
* 512-	H11N1	I	5.3KV	15.0	0.3/0.3	5.29	4.50	4.12
* 512-	H11N2	I	5.3KV	15.0	0.3/0.3	4.70	4.00	3.66
* 512-	H11N3	I	5.3KV	15.0	0.3/0.3	2.94	2.50	2.29

Non-Zero-Crossing Triac Output

For quantities greater than listed, call for quote.

MOUSER STOCK NO.		Fig.	Isolation Voltage (VRMS)	Blocking Voltage	Holding Current	Price Each		
Mfr.	Industry No.					1	100	500
* 512-	MOC3010	J	5.3KV	250.0	100	.56	.48	.44
* 512-	MOC3011	J	5.3KV	250.0	100	.59	.50	.46
* 512-	MOC3012	J	5.3KV	250.0	100	.63	.54	.49
* 512-	MOC3020	J	5.3KV	400.0	100	.56	.48	.44
* 512-	MOC3021	J	5.3KV	400.0	100	.59	.50	.46
* 512-	MOC3022	J	5.3KV	400.0	100	.61	.52	.48
* 512-	MOC3023	J	5.3KV	400.0	100	.66	.56	.51

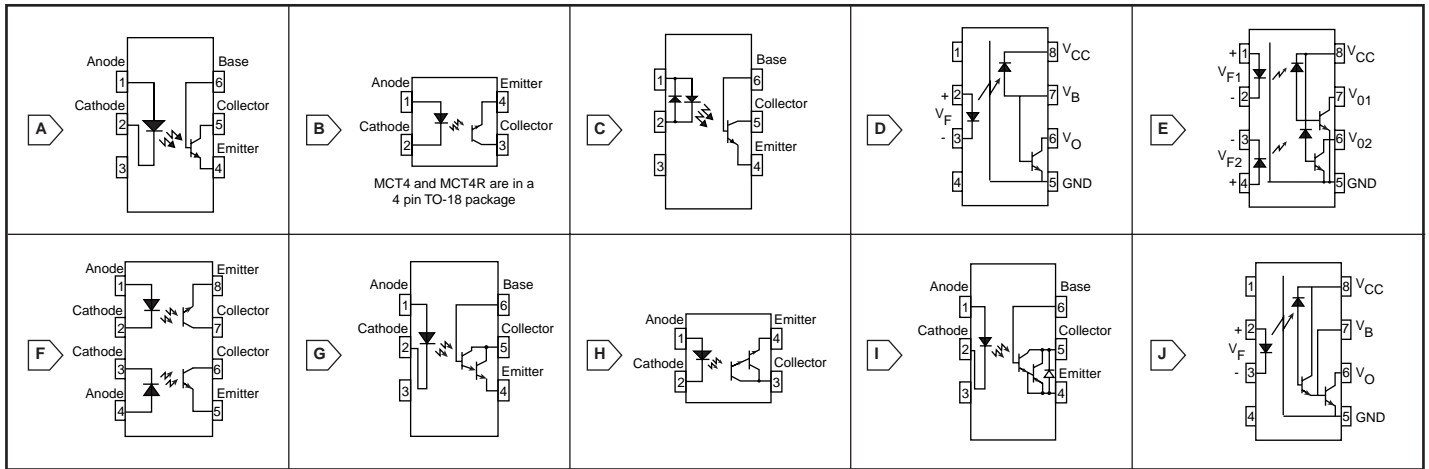


Optologic™

• Operating supply voltage: 4.5 to 16.0 volts

For quantities greater than listed, call for quote.

MOUSER STOCK NO.		Fig.	Forward Current	Hysteresis Ratio Typ. I _{F(+)} /I _{F(-)}	Threshold Current		Price Each		
Mfr.	Industry No.				Turn On	Turn Off	1	100	500
512-	H21LOI	A	50mA	1.2	15mA	0.5mA	2.19	1.86	1.70
512-	H21LOB	B	50mA	1.2	15mA	0.5mA	2.19	1.86	1.70
512-	H22LOI	A	50mA	1.2	15mA	0.5mA	2.19	1.86	1.70
512-	H22LOB	B	50mA	1.2	15mA	0.5mA	2.28	1.94	1.78



* UL Recognized
 **: UL Recognized & VDE Approved

PHOTO TRANSISTOR OUTPUT

For quantities greater than listed, call for quote.

MOUSER STOCK NO.		Fig.	Isolation Voltage (VRMS)	BV CEO (V)	Typical Rise/Fall (μSEC)	Price Each		
Mfr.	Industry No.					1	100	500
* 512- 4N25	A	A	5.3KV	30.0	3/3	.38	.32	.29
* 512- 4N26	A	A	5.3KV	30.0	3/3	.38	.32	.29
* 512- 4N27	A	A	5.3KV	30.0	3/3	.35	.30	.27
* 512- 4N28	A	A	5.3KV	30.0	3/3	.35	.30	.27
* 512- 4N35	A	A	5.3KV	30.0	5/5	.40	.34	.31
* 512- 4N36	A	A	5.3KV	30.0	5/5	.38	.32	.29
* 512- 4N37	A	A	5.3KV	30.0	5/5	.35	.30	.27
* 512- CNW11AV-13	A	A	4.0KV	70.0	15/15	.99	.84	.77
* 512- CNW11AV-23	A	A	4.0KV	70.0	15/15	.89	.76	.70
* 512- CNY17-1	A	A	5.3KV	70.0	10/10	.47	.40	.37
* 512- CNY17-13	A	A	5.3KV	70.0	10/10	.52	.44	.40
* 512- CNY17-2	A	A	5.3KV	70.0	10/10	.47	.40	.37
* 512- CNY17-23	A	A	5.3KV	70.0	10/10	.52	.44	.40
* 512- CNY17-3	A	A	5.3KV	70.0	10/10	.47	.40	.37
* 512- CNY17-33	A	A	5.3KV	70.0	10/10	.52	.44	.40
* 512- CNY17-4	A	A	5.3KV	70.0	10/10	.47	.40	.37
* 512- CNY17-43	A	A	5.3KV	70.0	10/10	.52	.44	.40
* 512- H11A1	A	A	5.3KV	30.0	2/2	.47	.40	.37
* 512- H11A13	A	A	5.3KV	30.0	2/2	.52	.44	.40
* 512- H11A2	A	A	5.3KV	30.0	2/2	.42	.36	.33
* 512- H11A3	A	A	5.3KV	30.0	2/2	.42	.36	.33
* 512- H11A4	A	A	5.3KV	30.0	2/2	.40	.34	.31
* 512- H11A5	A	A	5.3KV	30.0	2/2	.45	.38	.35
* 512- H11AG1	A	A	5.3KV	30.0	5/5	1.18	1.00	.92
* 512- H24A1	H	H	3.75KV	30.0	9/4	2.21	1.88	1.72
* 512- H24A2	H	H	3.75KV	30.0	9/4	2.02	1.72	1.57
* 512- MCT2	A	A	5.3KV	30.0	10/10	.45	.38	.35
* 512- MCT210	A	A	5.3KV	30.0	5/5	.59	.50	.46
* 512- MCT22003	A	A	5.3KV	30.0	10/10	.52	.44	.40
* 512- MCT26	A	A	5.3KV	30.0	5/5	.35	.30	.27
* 512- MCT270	A	A	5.3KV	30.0	10/10	.45	.38	.35
* 512- MCT271	A	A	5.3KV	30.0	7/7	.52	.44	.40
* 512- MCT2E	A	A	5.3KV	30.0	5/5	.45	.38	.35
* 512- MCT4	B	B	1.0KVDC	30.0	2/2	12.93	11.00	10.07
* 512- MCT4R	B	B	1.0KVDC	30.0	2/2	24.68	21.00	19.22
* 512- MCT5200	A	A	5.3KV	30.0	12/12	.82	.70	.64
* 512- MCT5201	A	A	5.3KV	30.0	30/13	.85	.72	.66
* 512- MCT5210	A	A	5.3KV	30.0	10/10	.87	.74	.68
* 512- MCT5211	A	A	5.3KV	30.0	25/25	.89	.76	.70
* 512- TIL111	A	A	5.3KV	30.0	10/10	.35	.30	.27

PHOTO TRANSISTOR OUTPUT

For quantities greater than listed, call for quote.

MOUSER STOCK NO.		Fig.	Isolation Voltage (VRMS)	BV CEO (V)	Typical Rise/Fall (μSEC)	Price Each		
Mfr.	Industry No.					1	100	500
* 512- H11AA1	C	C	5.3KV	30.0	5/5	.71	.60	.55
* 512- H11AA2	C	C	5.3KV	30.0	5/5	.59	.50	.46
* 512- H11AA3	C	C	5.3KV	30.0	5/5	.73	.62	.57
* 512- H11AA4	C	C	5.3KV	30.0	5/5	.78	.66	.60

HIGH VOLTAGE PHOTO TRANSISTOR OUTPUT

For quantities greater than listed, call for quote.

MOUSER STOCK NO.		Fig.	Isolation Voltage (VRMS)	BV CEO (V)	Typical Rise/Fall (μSEC)	Price Each		
Mfr.	Industry No.					1	100	500
* 512- 4N38	A	A	5.3KV	80.0	5/5	.66	.56	.51
* 512- H11D1	A	A	5.3KV	300.0	5/5	.71	.60	.55
* 512- H11D13	A	A	5.3KV	300.0	5/5	.75	.64	.59
* 512- H11D2	A	A	5.3KV	300.0	5/5	.71	.60	.55
* 512- H11D23	A	A	5.3KV	300.0	5/5	.66	.56	.51
* 512- H11D3	A	A	5.3KV	200.0	5/5	.66	.56	.51

HIGH-SPEED PHOTO TRANSISTOR OUTPUT

For quantities greater than listed, call for quote.

MOUSER STOCK NO.		Fig.	Isolation Voltage (VRMS)	V _{CC} (V)	Typical Rise/Fall (μSEC)	Price Each		
Mfr.	Industry No.					1	100	500
* 512- 6N135	D	D	2.5KV	15.0	1.5/1.5	.85	.72	.66
* 512- 6N136	D	D	2.5KV	15.0	0.8/0.8	.87	.74	.68
* 512- HCPL-2503	D	D	2.5KV	15.0	0.8/0.8	1.29	1.10	1.01

DUAL HIGH-SPEED PHOTO TRANSISTOR OUTPUT

For quantities greater than listed, call for quote.

MOUSER STOCK NO.		Fig.	Isolation Voltage (VRMS)	V _{CC} (V)	Typical Rise/Fall (μSEC)	Price Each		
Mfr.	Industry No.					1	100	500
* 512- HCPL-2531	E	E	2.5KV	15.0	0.8/0.8	2.23	1.90	1.74

DUAL PHOTO TRANSISTOR OUTPUT

For quantities greater than listed, call for quote.

MOUSER STOCK NO.		Fig.	Isolation Voltage (VRMS)	BV CEO (V)	Typical Rise/Fall (μSEC)	Price Each		
Mfr.	Industry No.					1	100	500
* 512- MCT6	F	F	2.5KV	30.0	5/15	.71	.60	.55
* 512- MCT61	F	F	2.5KV	30.0	5/15	.75	.64	.59
* 512- MCT62	F	F	2.5KV	30.0	5/15	.82	.70	.64

PHOTO DARLINGTON OUTPUT

For quantities greater than listed, call for quote.

MOUSER STOCK NO.		Fig.	Isolation Voltage (VRMS)	BV CEO (V)	Typical Rise/Fall (μSEC)	Price Each		
Mfr.	Industry No.					1	100	500
* 512- 4N29	G	G	5.3KV	30.0	5/40	.38	.32	.29
* 512- 4N30	G	G	5.3KV	30.0	5/40	.38	.32	.29
* 512- 4N31	G	G	5.3KV	30.0	5/40	.35	.30	.27
* 512- 4N32	G	G	5.3KV	30.0	5/100	.42	.36	.33
* 512- 4N33	G	G	5.3KV	30.0	5/100	.42	.36	.33
* 512- H11B1	G	G	5.3KV	25.0	125/100	.59	.50	.46
* 512- H11B2	G	G	5.3KV	25.0	125/100	.56	.48	.44
* 512- H11B255	G	G	5.3KV	55.0	125/100	.63	.54	.49
* 512- H11B3	G	G	5.3KV	25.0	125/100	.54	.46	.42
* 512- H24B1	H	H	3.75KV	30.0	100/60	3.29	2.80	2.56
* 512- MCA231	G	G	5.3KV	30.0	10/100	.63	.54	.49
* 512- MCA255	G	G	5.3KV	30.0	10/100	.63	.54	.49

HIGH VOLTAGE PHOTO DARLINGTON OUTPUT

For quantities greater than listed, call for quote.

MOUSER STOCK NO.		Fig.	Isolation Voltage (VRMS)	BV CEO (V)	Typical Rise/Fall (μSEC)	Price Each		
Mfr.	Industry No.					1	100	500
* 512- H11G1	I	I	5.3KV	100.0	5/100	.75	.64	.59
* 512- H11G2	I	I	5.3KV	80.0	5/100	.73	.62	.57
* 512- H11G3	I	I	5.3KV	55.0	5/100	.71	.60	.55
* 512- H11G45	I	I	5.3KV	55.0	5/150	1.79	1.52	1.39
* 512- H11G46	I	I	5.3KV	55.0	5/150	2.04	1.74	1.59

HIGH GAIN SPLIT PHOTO DARLINGTON OUTPUT

For quantities greater than listed, call for quote.

MOUSER STOCK NO.		Fig.	Isolation Voltage (VRMS)	V _{CC} (V)	Typical Rise/Fall (μSEC)	Price Each		
Mfr.	Industry No.					1	100	500
* 512- 6N138	J	J	2.5KV	7.0	10/35	.94	.80	.73
* 512- 6N139	J	J	2.5KV	18.0	25/60	1.06	.90	.82

INFRARED EMITTING DIODES AND PHOTO DETECTORS

Infrared Emitting Diodes

For quantities greater than listed, call for quote.

MOUSER STOCK NO.	Mfr.	Industry No.	Fig.	Min. Power Output	Max. Fwd Volt	Peak Emission Wave-Length +/-	Beam Angle	Price Each		
								1	100	500
512-1N6264	A	6mW	1.7V	940	10	2.82	2.40	2.20		
512-1N6265	B	6mW	1.7V	940	40	2.82	2.40	2.20		
512-1N6266	A	25mW/sr	1.7V	940	10	3.90	3.32	3.04		
512-CQX14	A	5.40mW	1.7V	940	10	1.76	1.50	1.37		
512-CQX15	B	5.40mW	1.7V	940	40	1.76	1.50	1.37		
512-F5D1	A	12mW	1.7V	880	10	2.00	1.70	1.56		
512-F5D2	A	9mW	1.7V	880	10	1.83	1.56	1.43		
512-F5D3	A	10.5mW	1.7V	880	10	1.88	1.60	1.46		
512-F5E1	B	12mW	1.7V	880	40	2.00	1.70	1.56		
512-F5E2	B	9mW	1.7V	880	40	1.83	1.56	1.43		
512-F5E3	B	10.5mW	1.7V	880	40	1.88	1.60	1.46		
512-F5F1	C	0.28mW/sr	1.7V	940	35	.40	.34	.31		
512-LED55B	A	3.50mW	1.7V	940	10	1.69	1.44	1.32		
512-LED55C	A	5.40mW	1.7V	940	10	1.76	1.50	1.37		
512-LED56	A	1.50mW	1.7V	940	10	1.65	1.40	1.28		
512-LED55BF	B	3.50mW	1.7V	940	40	1.69	1.44	1.32		
512-LED55CF	B	5.40mW	1.7V	940	40	1.74	1.48	1.35		
512-LED56F	B	1.50mW	1.7V	940	40	1.65	1.40	1.28		
512-QEC113	D	0.07mW/10°	1.5V	940	8	.38	.32	.29		
512-QED123	E	0.24mW/10°	1.7V	880	9	.52	.44	.40		
512-QED222	E	.085mW/10°	1.7V	880	20	.47	.40	.37		
512-QED223	E	25mW/sr	1.7V	880	20	.49	.42	.38		
512-QED233	E	0.05 mW/10°	1.5V	940	20	.35	.30	.27		
512-QED234	E	0.13mW/10°	1.5V	940	20	.40	.34	.31		
512-QED423	F	0.10mW/10°	1.7V	880	35	.56	.48	.44		
512-QED522	F	0.10mW/10°	1.7V	880	15	.54	.46	.42		
512-QED523	F	0.20mW/10°	1.7V	880	15	.56	.48	.44		
512-QEE113	G	0.015mW/10°	1.5V	940	25	.40	.34	.31		
512-QEE123	G	0.04mW/10°	1.5V	880	25	.59	.50	.46		

Photo Detectors

For quantities greater than listed, call for quote.

MOUSER STOCK NO.	Mfr.	Industry No.	Fig.	On-State Collector Current	BV CEO (V)	I _{CEO} VCC /nA (max.)	Price Each		
							1	100	500
Photo Transistors									
512-BPW36	H	6.0	45	10 / 100	1.53	1.30	1.19		
512-BPW37	H	3.0	45	10 / 100	1.41	1.20	1.10		
512-L14C1	I	1.0	50	20 / 100	1.53	1.30	1.19		
512-L14C2	I	0.5	50	20 / 100	1.41	1.20	1.10		
512-L14G1	H	6.0	45	10 / 100	1.53	1.30	1.19		
512-L14G2	H	3.0	45	10 / 100	1.41	1.20	1.10		
512-L14G3	H	12.0	45	10 / 100	1.65	1.40	1.28		
512-L14N1	I	3.0	30	10 / 100	1.60	1.36	1.24		
512-L14N2	I	6.0	30	10 / 100	1.65	1.40	1.28		
512-L14P1	H	4.0	30	10 / 100	1.69	1.44	1.32		
512-L14P2	H	8.0	30	10 / 100	1.74	1.48	1.35		
512-L14Q1	C	1.0	30	25 / 100	.31	.26	.24		
512-QSC112	D	1.0	30	10 / 100	.38	.32	.29		
512-QSC113	D	2.4	30	10 / 100	.40	.34	.31		
512-QSC114	D	4.0	30	10 / 100	.45	.38	.35		
512-QSD122	E	1.0	30	10 / 100	.38	.32	.29		
512-QSD123	E	4.0	30	10 / 100	.40	.34	.31		
512-QSD124	E	6.0	30	10 / 100	.42	.36	.33		
512-QSD422	F	0.3	30	10 / 100	.63	.54	.49		
512-QSD423	F	1.2	30	10 / 100	.66	.56	.51		
512-QSD424	F	1.8	30	10 / 100	.68	.58	.53		
512-QSD722	J	0.6	30	10 / 100	.63	.54	.49		
512-QSD723	J	2.5	30	10 / 100	.66	.56	.51		
512-QSE113	G	0.25	30	10 / 100	.31	.26	.24		
512-QSE114	G	1.0	30	10 / 100	.33	.28	.26		
Photo Darlington									
512-BPW38	H	3.0	25	12 / 100	2.07	1.76	1.61		
512-L14F1	H	3.0	25	12 / 100	2.07	1.76	1.61		
512-L14F2	H	1.0	25	12 / 100	1.95	1.66	1.52		
512-L14R1	C	5.0	30	25 / 100	.52	.44	.40		

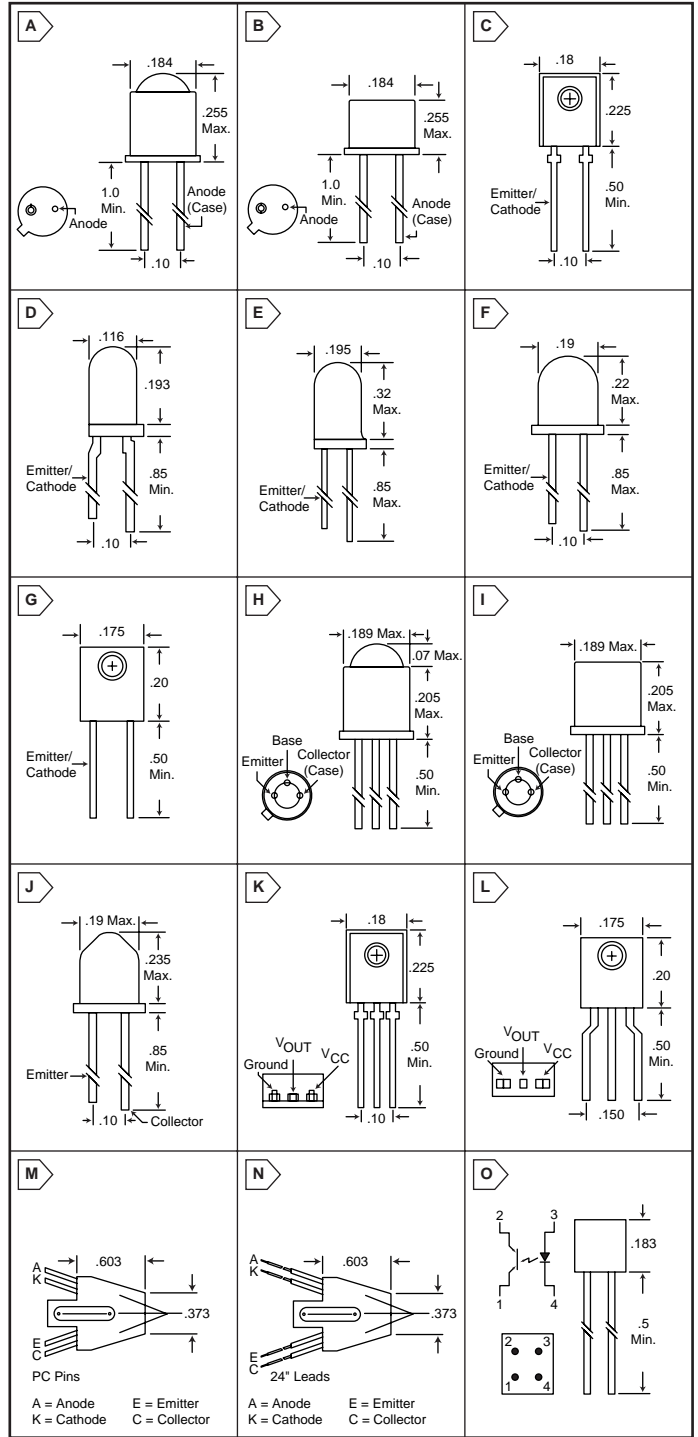
OPTOLOGIC™ PHOTOSENSORS

For quantities greater than listed, call for quote.

MOUSER STOCK NO.	Mfr.	Industry No.	Fig.	Positive Threshold mw/cm²	Function	V _{CC} (V)	Price Each		
							1	100	500
512-L14LOB	K	.250	Buff T/P	4.5-16.0	1.48	1.26	1.15		
512-L14LOI	K	.250	Inv T/P	4.5-16.0	1.48	1.26	1.15		
512-QSE156	L	.250	Buff T/P	4.5-16.0	1.48	1.26	1.15		
512-QSE157	L	.250	Inv T/P	4.5-16.0	1.48	1.26	1.15		
512-QSE158	L	.250	Buff O/C	4.5-16.0	1.48	1.26	1.15		
512-QSE159	L	.250	Inv O/C	4.5-16.0	1.48	1.26	1.15		

REFLECTIVE PHOTO SENSORS Photo Transistor Output

MOUSER STOCK NO.	Mfr.	Industry No.	Fig.	On-State Collector Current	I _F /V _{CE}	BV CEO (V)	Price Each		
							1	100	500
512-QRB1114	M	.60mA	40mA/5V	30	1.48	1.26	1.15		
512-QRB1134	N	.60mA	40mA/5V	30	2.66	2.26	2.07		
512-QRD1114	O	1.0mA	20mA/5V	30	1.41	1.20	1.10		



MATCHED EMITTER / DETECTOR PAIRS

• Emitter color: black For quantities greater than listed, call for quote.

MOUSER STOCK NO.	Mfr.	Industry No.	Fig.	I _C (On) (mA) min.	I _F / V _{CE}	Detector Stripe Color	BV CEO (V)	Price Each		
								1	100	500
Photo Transistor / LED Pairs										
512-H23A1	C	1.5	30mA / 5V	Gray	30	.87	.74	.68		
Photo Darlington / LED Pairs										
512-H23B1	C	7.5	10mA / 1.5V	Yellow	30	.96	.82	.75		

Optologic™ / LED Pairs

• Emitter: Figure C • Detector: Figure K • Operating supply voltage: 4.0 to 16.0 volts For quantities greater than listed, call for quote.

MOUSER STOCK NO.	Mfr.	Industry No.	Fig.	Forward Current	Hysteresis Ratio (Typ) I _F (+)/I _F (-)	Positive Threshold		Price Each		
						Turn On	Turn Off	1	100	500
512-H23LOI	C/K	3.0-60mA	0.5 - 0.9	10mA	7.5mA	1.53	1.30	1.19		



LED LAMPS

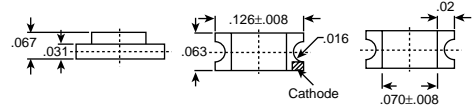
1206 Size SMD LED Lamps

◆ Surface Mount Device

For quantities greater than listed, call for quote.

MOUSER STOCK NO.	Color		Forward Voltage		Luminous Intensity		Peak Wavelength p (nm)	Viewing Angle	Price Each		
	LED	Lens	Typ.	Max.	Min.	Typ.			1	100	500
512-QTLP650C2	Red	Water Clear	2.0	2.8	3.6	6.0	640	140°	.29	.24	.22
512-QTLP650C3	Yellow	Water Clear	2.0	2.8	3.6	6.0	585	140°	.30	.25	.23
512-QTLP650C4	Green	Water Clear	2.0	2.8	6.0	10.0	570	140°	.30	.25	.23
512-QTLP650D2	Red	Red Diff.	2.0	2.8	2.4	4.0	640	160°	.30	.25	.23
512-QTLP650D3	Yellow	Yellow Diff.	2.0	2.8	2.4	4.0	585	160°	.34	.28	.25
512-QTLP650D4	Green	Green Diff.	2.1	2.8	4.0	6.5	570	160°	.34	.28	.25

DIMENSIONS (IN.)



LED LAMPS

Standard T-3/4

For quantities greater than listed, call for quote.

MOUSER STOCK NO.	Fig.	Color		Forward Voltage		Luminous Intensity		Peak Wavelength p (nm)	Viewing Angle	Price Each		
		LED	Lens	Typ.	Max.	Min.	Typ.			1	100	500
512-HLMPQ105	A	Red	Red Clear	1.8	2.2	15.0	35.0	645	28°	.53	.42	.38
512-HLMP6305A	A	Hi-Eff Red	Red Clear	1.8	3.0	3.0	12.0	635	25°	.28	.24	.22
512-HLMP6405	A	Yellow	Yellow Clear	1.8	3.0	3.0	12.0	583	28°	.40	.32	.29
512-HLMP6505A	A	Green	Green Clear	2.0	3.0	3.0	12.0	570	25°	.28	.24	.22

Standard T-1

For quantities greater than listed, call for quote.

MOUSER STOCK NO.	Fig.	Color		Forward Voltage		Luminous Intensity		Peak Wavelength p (nm)	Viewing Angle	Price Each		
		LED	Lens	Typ.	Max.	Min.	Typ.			1	100	500
512-MV5774C	B	Hi-Eff Red	Red Diff.	2.0	3.0	1.5	9.0	635	90°	.20	.16	.15
512-MV5474C	B	Hi-Eff Green	Green Diff.	2.2	3.0	1.2	9.0	565	90°	.23	.18	.16
512-MV5374C	B	Yellow	Yellow Diff.	2.1	3.0	1.8	9.0	585	90°	.23	.18	.16

Dual Color T-1 3/4

For quantities greater than listed, call for quote.

MOUSER STOCK NO.	Fig.	Color		Forward Voltage		Luminous Intensity		Peak Wavelength p (nm)	Viewing Angle	Price Each		
		LED	Lens	Typ.	Max.	Min.	Typ.			1	100	500
512-MV5337	C	Red/Yellow	White Diff.	2.1	3.0	2.0	6.0	660/585	100°	.40	.32	.29
512-MV5437	C	Red/Green	White Diff.	2.1	3.0	2.0	6.0	630/567	100°	.40	.32	.29

Ultra Bright T-1 3/4

For quantities greater than listed, call for quote.

MOUSER STOCK NO.	Fig.	Color		Forward Voltage		Luminous Intensity		Peak Wavelength p (nm)	Viewing Angle	Price Each		
		LED	Lens	Typ.	Max.	Min.	Typ.			1	100	500
512-HLMP3750A	D	Hi-Eff Red	Pale Red Tint	2.2	3.0	80	150	635	24°	.23	.18	.16
512-HLMP3950A	D	Hi-Eff Green	Pale Grn Tint	2.2	3.0	80	150	565	24°	.25	.20	.18
512-HLMP3850A	D	Yellow	Pale Yel Tint	2.2	3.0	80	150	585	24°	.25	.20	.18

Super Bright T-1

For quantities greater than listed, call for quote.

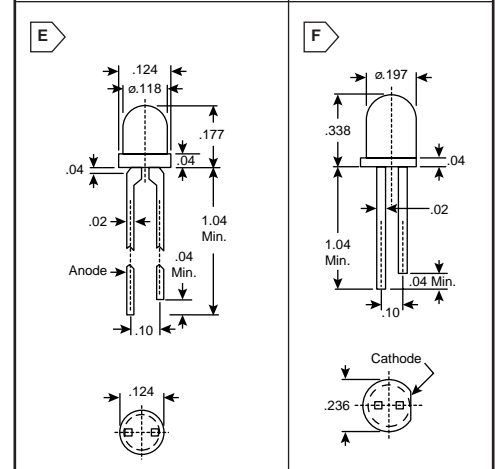
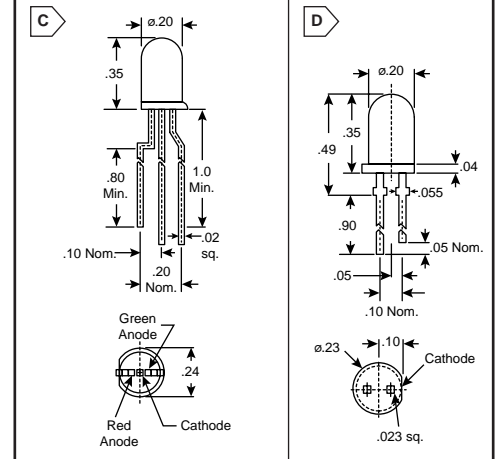
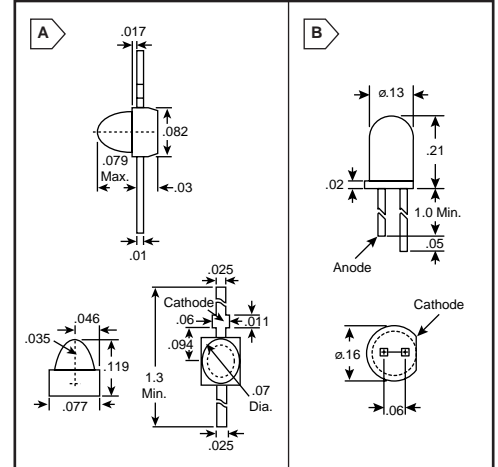
MOUSER STOCK NO.	Fig.	Color		Forward Voltage		Luminous Intensity		Peak Wavelength p (nm)	Viewing Angle	Price Each		
		LED	Lens	Typ.	Max.	Min.	Typ.			1	100	500
512-HLMP1340	E	Hi-Eff Red	Pale Org Tint	2.2	3.0	24	60	635	45°	.23	.18	.16
512-HLMP1540	E	Hi-Eff Green	Pale Grn Tint	2.2	3.0	24	60	565	45°	.25	.20	.18
512-HLMP1440	E	Yellow	Pale Yel Tint	2.2	3.0	24	60	585	45°	.23	.18	.16
512-HLMPK105	E	Red	Water Clear	1.8	2.2	35	65	645	45°	.43	.34	.31

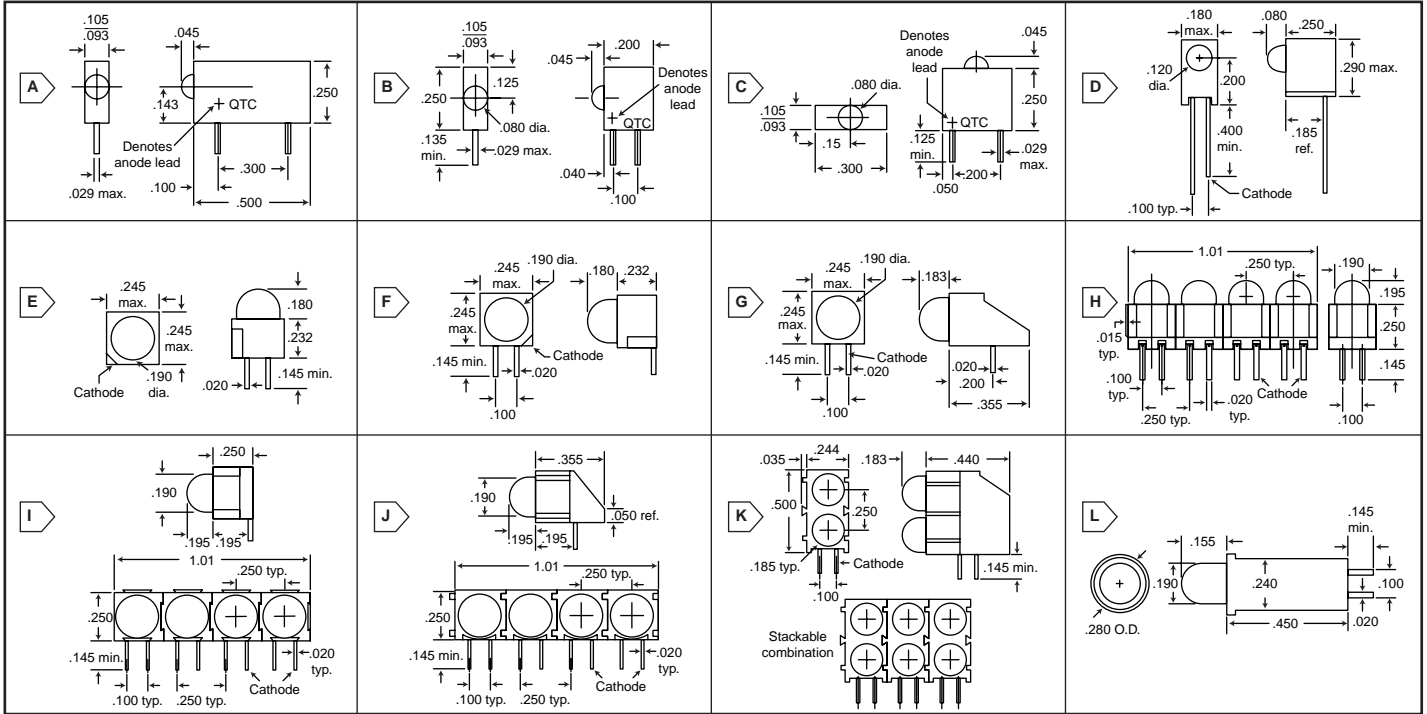
Super Bright T-1 3/4

For quantities greater than listed, call for quote.

MOUSER STOCK NO.	Fig.	Color		Forward Voltage		Luminous Intensity		Peak Wavelength p (nm)	Viewing Angle	Price Each		
		LED	Lens	Typ.	Max.	Min.	Typ.			1	100	500
512-MV8102	F	Red	Water Clear	1.7	2.4	250	370	660	20°	.24	.20	.18
512-MV8103	F	Red	Water Clear	1.7	2.4	630	940	660	20°	.45	.38	.35
512-MV8104	F	Red	Water Clear	1.7	2.4	1000	1500	660	20°	.52	.44	.40
512-MV8190	F	Red	Red Diff	1.7	2.4	63	100	660	45°	.31	.26	.24
512-MV8191	F	Red	Red Diff	1.7	2.4	100	200	660	45°	.35	.30	.27
512-MV8140	F	Red	Water Clear	1.7	2.4	120	220	660	40°	.26	.22	.20
512-MV8141	F	Red	Water Clear	1.7	2.4	250	370	660	40°	.31	.26	.24
512-MV8111	F	Red	Water Clear	1.7	2.4	250	370	660	12°	.26	.22	.20
512-MV8112	F	Red	Water Clear	1.7	2.4	630	930	660	12°	.30	.24	.22
512-MV8113	F	Red	Water Clear	1.7	2.4	1000	1500	660	12°	.45	.36	.33
512-MV8114	F	Red	Water Clear	1.7	2.4	1600	2400	660	12°	.56	.48	.44
512-MV8410	F	Green	Water Clear	2.1	2.8	160	240	565	12°	.26	.22	.20
512-MV8411	F	Green	Water Clear	2.1	2.8	240	370	565	12°	.31	.26	.24
512-MV8412	F	Green	Water Clear	2.1	2.8	250	620	565	12°	.35	.30	.27
512-MV8303	F	Yellow	Water Clear	2.1	2.8	630	940	590	20°	.66	.56	.51
512-MV8304	F	Yellow	Water Clear	2.1	2.8	1000	1500	590	20°	.73	.62	.57
512-MV8305	F	Yellow	Water Clear	2.1	2.8	1600	2400	590	20°	.82	.70	.64
512-MV8313	F	Yellow	Water Clear	2.1	2.8	630	940	590	12°	.66	.56	.51
512-MV8314	F	Yellow	Water Clear	2.1	2.8	1000	1500	590	12°	.73	.62	.57
512-MV8315	F	Yellow	Water Clear	2.1	2.8	1600	2400	590	12°	.82	.70	.64
512-MV8316	F	Yellow	Water Clear	2.1	2.8	2500	3500	590	12°	.89	.76	.70
512-MV8341	F	Yellow	Water Clear	2.1	2.8	160	220	660	45°	.66	.56	.51
512-MV8342	F	Yellow	Water Clear	2.1	2.8	250	370	590	45°	.75	.64	.59
512-MV8703	F	Orange	Water Clear	2.1	2.8	630	940	620	20°	.71	.60	.55
512-MV8704	F	Orange	Water Clear	2.1	2.8	1000	1500	620	20°	.78	.66	.60
512-MV8705	F	Orange	Water Clear	2.1	2.8	1600	2400	620	20°	.85	.72	.66
512-MV8713	F	Orange	Water Clear	2.1	2.8	630	940	620	12°	.66	.56	.51
512-MV8714	F	Orange	Water Clear	2.1	2.8	1000	1500	620	12°	.73	.62	.57
512-MV8715	F	Orange	Water Clear	2.1	2.8	1600	2400	620	12°	.82	.70	.64
512-MV8716	F	Orange	Water Clear	2.1	2.8	2500	3500	620	12°	.89	.76	.70
512-MV8741	F	Orange	Water Clear	2.1	2.8	250	370	620	45°	.66	.56	.51
512-MV8742	F	Orange	Water Clear	2.1	2.8	400	600	620	45°	.75	.64	.59

DIMENSIONS (IN.)





T-3/4 SUBMINIATURE PCB INDICATORS

For quantities greater than listed, call for quote.

MOUSER STOCK NO.	Fig.	Color	Description	V _F	mcd	mA	Price Each		
							1	100	500
512-MV5000.MP1	A	Red	Right angle	1.7	3.0	20	.59	.50	.46
512-MV5300.MP1	A	Yellow	Right angle	2.1	2.0	20	.59	.50	.46
512-MV5400.MP1	A	Green	Right angle	2.3	3.5	20	.59	.50	.46
512-MV5000.MP2	B	Red	Right angle	1.7	3.0	20	.59	.50	.46
512-MV5300.MP2	B	Yellow	Right angle	2.1	2.0	20	.56	.48	.44
512-MV5400.MP2	B	Green	Right angle	2.3	3.5	20	.56	.48	.44
512-MV5000.MP3	C	Red	Straight	1.7	3.0	20	.61	.52	.48
512-MV5300.MP3	C	Yellow	Straight	2.1	2.0	20	.59	.50	.46
512-MV5400.MP3	C	Green	Straight	2.3	3.5	20	.59	.50	.46

T-1 PCB INDICATORS

For quantities greater than listed, call for quote.

MOUSER STOCK NO.	Fig.	Color	Description	V _F	mcd	mA	Price Each		
							1	100	500
512-MV5064.MP4B	D	Red	Right angle	1.6	1.5	20	.33	.28	.26
512-MV5364.MP4B	D	Yellow	Right angle	2.1	2.0	10	.35	.30	.27
512-MV5464.MP4B	D	Green	Right angle	2.2	5.0	20	.35	.30	.27
512-MV5764.MP4B	D	Hi-Eff. Red	Right angle	2.0	2.0	10	.35	.30	.27

T-1 3/4 PCB INDICATORS

For quantities greater than listed, call for quote.

MOUSER STOCK NO.	Fig.	Color	Description	V _F	mcd	mA	Price Each		
							1	100	500
512-MV60539.MP5	E	Red	Straight	1.7	3.2	20	.33	.28	.26
512-MV63539.MP5	E	Yellow	Straight	2.1	20.0	20	.35	.30	.27
512-MV64539.MP5	E	Green	Straight	2.2	28.0	20	.33	.28	.26
512-MV67539.MP5	E	Hi-Eff. Red	Straight	2.1	15.0	20	.33	.28	.26
512-MV60539.MP6	F	Red	Right angle	1.7	3.2	20	.33	.28	.26
512-MV63539.MP6	F	Yellow	Right angle	2.1	20.0	20	.35	.30	.27
512-MV64539.MP6	F	Green	Right angle	2.2	28.0	20	.33	.28	.26
512-MV67539.MP6	F	Hi-Eff. Red	Right angle	2.1	15.0	20	.33	.28	.26
512-MV60539.MP7	G	Red	Right angle	1.7	3.2	20	.35	.30	.27
512-MV63539.MP7	G	Yellow	Right angle	2.1	20.0	20	.35	.30	.27
512-MV64539.MP7	G	Green	Right angle	2.2	28.0	20	.33	.28	.26
512-MV67539.MP7	G	Hi-Eff. Red	Right angle	2.1	15.0	20	.35	.30	.27

LED RECTANGULAR LAMPS

For quantities greater than listed, call for quote.

MOUSER STOCK NO.	Source Color	Lens Color	Wavelength λp (nm)	Typ. Lum. Intensity I _F =20mA (mcd)	Price Each		
					1	100	500
512-MV57124A	Hi-Eff. Red	Red Diff.	635	6.0	.35	.30	.27
512-MV54124A	Green	Green Diff.	565	6.0	.35	.30	.27
512-MV53124A	Yellow	Yellow Diff.	585	6.0	.35	.30	.27
512-MV49124A	Red/green	White Diff.	647/565	6.0	.63	.54	.49

T-1 3/4 BI-COLOR PCB INDICATORS

For quantities greater than listed, call for quote.

MOUSER STOCK NO.	Fig.	Color	Description	V _F	mcd	mA	Price Each		
							1	100	500
512-MV54919.MP5	E	Red/green	Straight angle	2.3	6.0	20	.68	.58	.53
512-MV54919.MP6	F	Red/green	Right angle	2.3	6.0	20	.68	.58	.53
512-MV54919.MP7	G	Red/green	Right angle	2.3	6.0	20	.71	.60	.55

T-1 3/4 4 UNIT PCB INDICATORS

For quantities greater than listed, call for quote.

MOUSER STOCK NO.	Fig.	Color	Description	V _F	mcd	mA	Price Each		
							1	100	500
512-MV60539.MP8	H	Red	4 lamp straight	1.7	3.2	20	1.15	.98	.90
512-MV63539.MP8	H	Yellow	4 lamp straight	2.1	20.0	20	1.18	1.00	.92
512-MV64539.MP8	H	Green	4 lamp straight	2.2	28.0	20	1.22	1.04	.95
512-MV67539.MP8	H	Hi-Eff. Red	4 lamp straight	2.1	15.0	20	1.22	1.04	.95
512-MV60539.MP8A	I	Red	4 lamp right angle	1.7	3.2	20	1.15	.98	.90
512-MV63539.MP8A	I	Yellow	4 lamp right angle	2.1	20.0	20	1.18	1.00	.92
512-MV64539.MP8A	I	Green	4 lamp right angle	2.2	28.0	20	1.22	1.04	.95
512-MV67539.MP8A	I	Hi-Eff. Red	4 lamp right angle	2.1	15.0	20	1.22	1.04	.95
512-MV60539.MP8B	J	Red	4 lamp right angle	1.7	3.2	20	1.15	.98	.90
512-MV63539.MP8B	J	Yellow	4 lamp right angle	2.1	20.0	20	1.18	1.00	.92
512-MV64539.MP8B	J	Green	4 lamp right angle	2.2	28.0	20	1.22	1.04	.95
512-MV67539.MP8B	J	Hi-Eff. Red	4 lamp right angle	2.1	15.0	20	1.22	1.04	.95

T-1 3/4 BI-LEVEL PCB INDICATORS

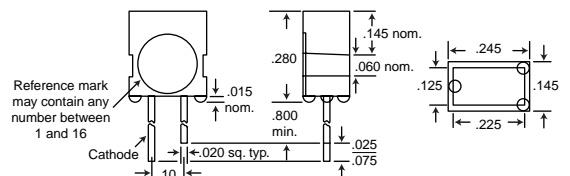
For quantities greater than listed, call for quote.

MOUSER STOCK NO.	Fig.	Color	Description	V _F	mcd	mA	Price Each		
							1	100	500
512-MV60539.MP90	K	Red	Bi-level	1.7	3.2	20	.61	.52	.48
512-MV63539.MP93	K	Yellow	Bi-level	2.1	20.0	20	.61	.52	.48
512-MV64539.MP94	K	Green	Bi-level	2.2	28.0	20	.63	.54	.49
512-MV67539.MP97	K	Hi-Eff. Red	Bi-level	2.1	15.0	20	.63	.54	.49

T-1 3/4 VERTICAL STANDOFF PCB INDICATORS

For quantities greater than listed, call for quote.

MOUSER STOCK NO.	Fig.	Color	Description	V _F	mcd	mA	Price Each		
							1	100	500
512-MV60539.MP10	L	Red	Standoff	1.7	3.2	20	.35	.30	.27
512-MV63539.MP10	L	Yellow	Standoff	2.1	20.0	20	.35	.30	.27
512-MV64539.MP10	L	Green	Standoff	2.2	28.0	20	.35	.30	.27
512-MV67539.MP10	L	Hi-Eff. Red	Standoff	2.1	15.0	20	.35	.30	.27



.30" DISPLAYS

MOUSER STOCK NO.	Fig.	Source Color	Description	Peak Wvlngh λ_p	Fwd. Voltage		Luminous Intensity $I_F=10mA$ (μcd)	Price Each		
					Typ.	Max.		1	10	100
512-MAN71A	A	Red	Common anode RHDP	660	1.7	2.0	350	1.38	1.18	1.10
512-MAN72A	B	Red	Common anode LHDP	660	1.7	2.0	350	1.38	1.18	1.10
512-MAN74A	A	Red	Common cathode RHDP	660	1.7	2.5	350	1.38	1.18	1.10
512-MAN3910A	A	Hi-Eff. Red	Common anode RHDP	635	2.0	2.5	1900	1.68	1.44	1.34
512-MAN3920A	B	Hi-Eff. Red	Common anode LHDP	635	2.0	2.5	1900	1.68	1.44	1.34
512-MAN3940A	A	Hi-Eff. Red	Common cathode RHDP	635	2.0	2.5	1900	1.68	1.44	1.34
512-MAN3410A	A	Green	Common anode RHDP	562	2.2	3.0	3200	1.75	1.51	1.40
512-MAN3420A	B	Green	Common anode LHDP	562	2.2	3.0	3200	1.75	1.51	1.40
512-MAN3440A	A	Green	Common cathode RHDP	562	2.2	3.0	3200	1.75	1.51	1.40
512-MAN3610A	A	Orange	Common anode RHDP	630	2.0	2.5	1800	2.13	1.83	1.70
512-MAN3620A	B	Orange	Common anode LHDP	630	2.0	2.5	1800	2.13	1.83	1.70
512-MAN3640A	A	Orange	Common cathode RHDP	630	2.0	2.5	1800	2.13	1.83	1.70
512-MAN3810A	A	Yellow	Common anode RHDP	585	2.0	3.0	1700	2.13	1.83	1.70
512-MAN3820A	B	Yellow	Common anode LHDP	585	2.0	3.0	1700	2.13	1.83	1.70
512-MAN3840A	A	Yellow	Common cathode RHDP	585	2.0	3.0	1700	2.13	1.83	1.70

.40" DISPLAYS

MOUSER STOCK NO.	Fig.	Source Color	Description	Peak Wvlngh λ_p	Fwd. Voltage		Luminous Intensity $I_F=10mA$ (μcd)	Price Each		
					Typ.	Max.		1	10	100
512-MAN4710A	C	Red	Common anode	660	1.6	2.0	350	1.40	1.20	1.12
512-MAN4740A	C	Red	Common cathode	660	1.6	2.0	350	1.40	1.20	1.12
512-MAN4910A	C	Hi-Eff. Red	Common anode	635	2.2	2.5	1900	2.13	1.83	1.70
512-MAN4940A	C	Hi-Eff. Red	Common cathode	635	2.2	2.5	1900	2.13	1.83	1.70
512-MAN4410A	C	Green	Common anode	562	2.2	3.0	3200	2.13	1.83	1.70
512-MAN4440A	C	Green	Common cathode	562	2.2	3.0	3200	2.13	1.83	1.70
512-MAN4610A	C	Orange	Common anode	630	2.2	2.5	1800	2.13	1.83	1.70
512-MAN4640A	C	Orange	Common cathode	630	2.2	2.5	1800	2.13	1.83	1.70

.43" DISPLAYS

MOUSER STOCK NO.	Fig.	Source Color	Description	Peak Wvlngh λ_p	Fwd. Voltage		Luminous Intensity $I_F=10mA$ (μcd)	Price Each		
					Typ.	Max.		1	10	100
512-7750	D	Red	Common anode LHDP	650	1.6	2.0	980	1.75	1.51	1.40
512-7751	D	Red	Common anode RHDP	650	1.6	2.0	980	1.75	1.51	1.40
512-7650	D	Hi-Eff. Red	Common anode LHDP	630	2.0	2.5	*840	2.13	1.83	1.70
512-7651	D	Hi-Eff. Red	Common anode RHDP	630	2.0	2.5	*840	2.13	1.83	1.70

*Luminous Intensity $I_F = 5mA$

.51" DISPLAYS

MOUSER STOCK NO.	Fig.	Source Color	Description	Peak Wvlngh λ_p	Fwd. Voltage		Luminous Intensity $I_F=10mA$ (μcd)	Price Each		
					Typ.	Max.		1	10	100
512-MAN5750	E	Red	Common anode RHDP	655	2.1	2.8	500	1.40	1.20	1.12
512-MAN5760	E	Red	Common cathode RHDP	655	2.1	2.8	500	1.40	1.20	1.12
512-MAN5450	E	Green	Common anode RHDP	562	2.1	2.8	3000	1.40	1.20	1.12
512-MAN5460	E	Green	Common cathode RHDP	562	2.1	2.8	3000	1.40	1.20	1.12
512-MAN5350	E	Yellow	Common anode RHDP	585	2.1	2.8	1200	1.40	1.20	1.12
512-MAN5360	E	Yellow	Common cathode RHDP	585	2.1	2.8	1200	1.40	1.20	1.12
512-MAN5950	E	Orange/Red	Common anode RHDP	635	2.0	3.0	2500	1.40	1.20	1.12
512-MAN5960	E	Orange/Red	Common cathode RHDP	635	2.0	3.0	2500	1.40	1.20	1.12

.56" DISPLAYS

MOUSER STOCK NO.	Fig.	Source Color	Description	Peak Wvlngh λ_p	Fwd. Voltage		Luminous Intensity $I_F=10mA$ (μcd)	Price Each		
					Typ.	Max.		1	10	100
512-MAN6760	F	Red	Common anode	650	1.7	2.0	420	1.75	1.51	1.40
512-MAN6780	F	Red	Common cathode	650	1.7	2.0	420	1.50	1.29	1.20
512-MAN6960	F	Hi-Eff. Red	Common anode	635	2.0	2.5	2200	1.88	1.61	1.50
512-MAN6980	F	Hi-Eff. Red	Common cathode	635	2.0	2.5	2200	1.88	1.61	1.50
512-MAN6460	F	Green	Common anode	562	2.2	3.0	3300	1.88	1.61	1.50
512-MAN6480	F	Green	Common cathode	562	2.2	3.0	3300	1.88	1.61	1.50
512-MAN6660	F	Orange	Common anode	630	2.0	2.5	2200	1.88	1.61	1.50
512-MAN6680	F	Orange	Common cathode	630	2.0	2.5	2200	1.88	1.61	1.50

.56" 1 1/2 DIGIT DISPLAYS

MOUSER STOCK NO.	Fig.	Source Color	Description	Peak Wvlngh λ_p	Typ.	Max.	Luminous Intensity $I_F=10mA$ (μcd)	1	10	100
512-MAN6930	G	Hi-Eff. Red	Common anode	635	2.0	2.5	2200	2.38	2.04	1.90
512-MAN6950	G	Hi-Eff. Red	Common cathode	635	2.0	2.5	2200	2.38	2.04	1.90
512-MAN6630	G	Orange	Common anode	630	2.0	2.5	2200	2.63	2.26	2.10

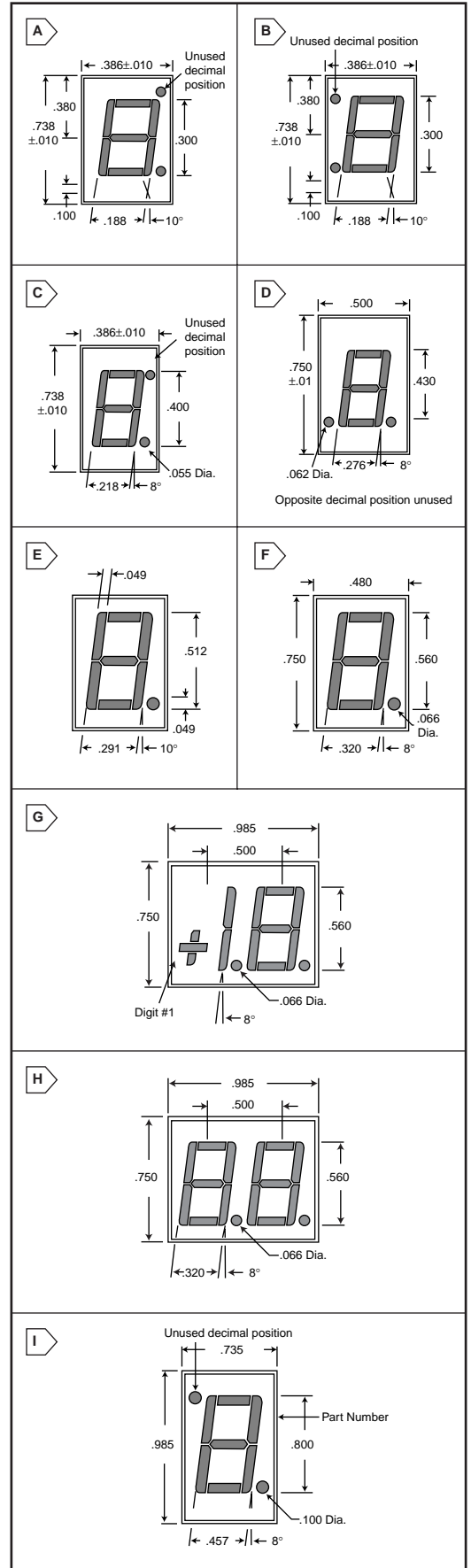
.56" DUAL DIGIT DISPLAYS

MOUSER STOCK NO.	Fig.	Source Color	Description	Peak Wvlngh λ_p	Typ.	Max.	Luminous Intensity $I_F=10mA$ (μcd)	1	10	100
512-MAN6710	H	Red	Common anode	650	1.7	2.0	420	2.13	1.83	1.70
512-MAN6740	H	Red	Common cathode	650	1.7	2.0	420	2.13	1.83	1.70
512-MAN6910	H	Hi-Eff. Red	Common anode	635	2.0	2.5	2200	2.38	2.05	1.90
512-MAN6940	H	Hi-Eff. Red	Common cathode	635	2.0	2.5	2200	2.38	2.05	1.90
512-MAN6410	H	Green	Common anode	562	2.2	3.0	3300	2.63	2.26	2.10
512-MAN6440	H	Green	Common cathode	562	2.2	3.0	3300	2.63	2.26	2.10
512-MAN6610	H	Orange	Common anode	630	2.0	2.5	2200	2.63	2.26	2.10
512-MAN6640	H	Orange	Common cathode	630	2.0	2.5	2200	2.63	2.26	2.10

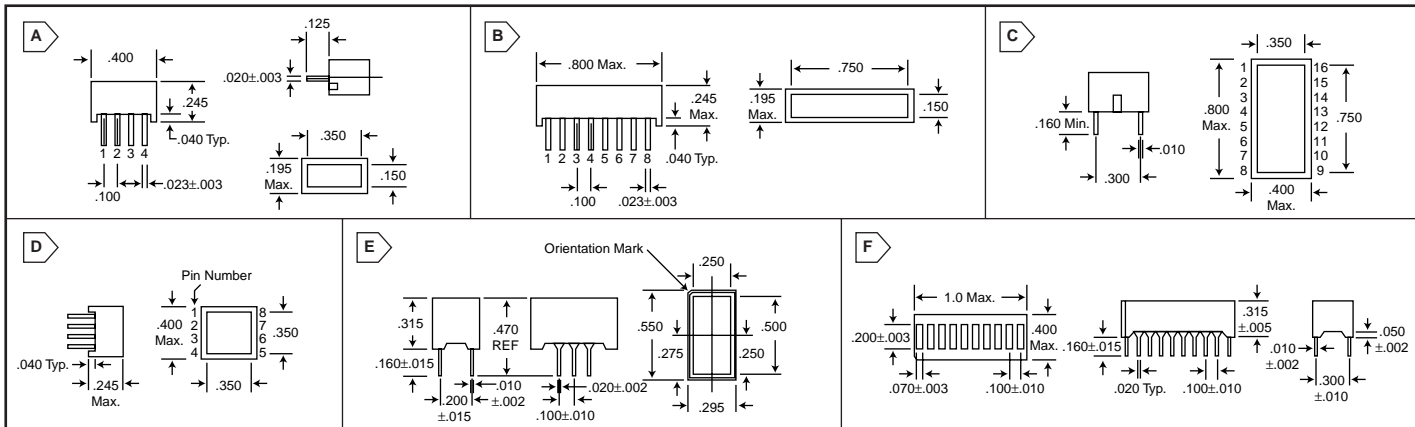
.80" DISPLAYS

MOUSER STOCK NO.	Fig.	Source Color	Description	Peak Wvlngh λ_p	Typ.	Max.	Luminous Intensity $I_F=10mA$ (μcd)	1	10	100
512-MAN8910	I	Hi-Eff. Red	Common anode RHDP	635	2.0	2.5	2200	2.38	2.04	1.90
512-MAN8940	I	Hi-Eff. Red	Common cathode RHDP	635	2.0	2.5	2200	2.38	2.04	1.90
512-MAN8410	I	Green	Common anode RHDP	562	2.2	3.0	3200	2.38	2.04	1.90
512-MAN8440	I	Green	Common cathode RHDP	562	2.2	3.0	3200	2.38	2.04	1.90
512-MAN8610	I	Orange	Common anode RHDP	630	2.0	2.5	2200	2.38	2.04	1.90
512-MAN8640	I	Orange	Common cathode RHDP	630	2.0	2.5	2200	2.38	2.04	1.90

DIMENSIONS (IN.)



Light Bars, Indicators, and Bar Graphs



DIMENSIONS (IN.)

LIGHT BARS

Rectangular Light Bars

For quantities greater than listed, call for quote.

MOUSER STOCK NO.	Fig.	Source Color	Lens	Package	Typ. Lum. Intensity IF=20mA (mcd)	Price Each		
						1	100	500
512-HLMP-2300	A	Hi-Eff. Red	Diffused	4 pin in-line	23	.89	.76	.70
512-HLMP-2500	A	Green	GreenDiff.	4 pin in-line	25	.89	.76	.70
512-HLMP-2350	B	Hi-Eff. Red	Diffused	8 pin in-line	45	1.29	1.10	1.00
512-HLMP-2550	B	Green	GreenDiff.	8 pin in-line	50	1.29	1.10	1.00
512-HLMP-2685	C	Hi-Eff. Red	Diffused	16 pin DIP	80	2.35	1.90	1.83
512-HLMP-2885	C	Green	GreenDiff.	16 pin DIP	100	2.35	1.90	1.83

Square Light Bars

For quantities greater than listed, call for quote.

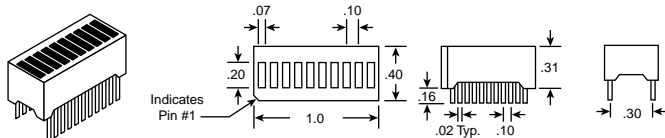
MOUSER STOCK NO.	Fig.	Source Color	Lens	Package	Typ. Lum. Intensity IF=20mA (mcd)	Price Each		
						1	100	500
512-HLMP-2655	D	Hi-Eff. Red	Diffused	8 pin in-line	43	1.83	1.56	1.43
512-HLMP-2855	D	Green	GreenDiff.	8 pin in-line	50	1.83	1.56	1.43

LED BAR GRAPHS

Specifications:

- Reverse current: 100µA (per LED)

DIMENSIONS (IN.)



RECTANGULAR PANEL INDICATORS

For quantities greater than listed, call for quote.

MOUSER STOCK NO.	Fig.	Source Color	Lens	Package	Typ. Lum. Intensity IF=10mA (µcd)	Price Each		
						1	100	500
512-MV57173	E	Hi-Eff. Red	Diffused	0.5" rect.	4500	1.60	1.36	1.24
512-MV54173	E	Green	GreenDiff.	0.5" rect.	4500	1.60	1.36	1.24

10 ELEMENT BARGRAPHS

For quantities greater than listed, call for quote.

MOUSER STOCK NO.	Fig.	Source Color	Package	Typ. Lum. Intensity IF=10mA (µcd)	Price Each		
					1	100	500
512-MV57164	F	Red	10 lamp w/gray face	1800	2.42	2.06	1.88
512-MV54164	F	Green	10 lamp w/gray face	1800	2.59	2.20	2.01
512-MV53164	F	Yellow	10 lamp w/gray face	1800	2.59	2.20	2.01

Features:

- 10 large, well defined segments
- High on-off contrast
- IC compatible
- Package interlock to ensure correct alignment
- End stackable for long string info. capability
- Individually addressable LED's for choice of drive

Applications:

- Industry standard .30" wide and 0.10" spaced dual-in line configuration
- Wide viewing angle
- Low profile package
- Rugged construction
- Instrumentation
- Industrial controls
- Office equipment
- Computer peripherals
- Consumer products

MOUSER STOCK NO.	Color	V _F Typ. Per LED @ 10mA		Luminous Intensity (mcd)	Peak Wavelength (nm)	Price Each			
		Typ.	Max.			1	10	100	500
351-2402	Red	2.1	2.8	2.0	695	2.42	2.20	2.00	Call
351-2403	Green	2.2	2.8	6.5	565	2.59	2.35	2.14	Call

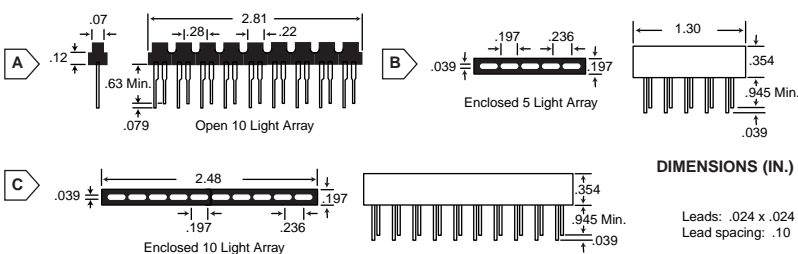
LIGHT ARRAYS

Specifications:

- I_R = 100µA (per LED) max

Features:

- Compatible with most DTL and TTL circuits
- Low cost, long life
- Solid state reliability



DIMENSIONS (IN.)

Leads: .024 x .024
Lead spacing: .10

For quantities greater than listed, call for quote.

MOUSER STOCK NO.	Fig.	Color	Forward Voltage (Typ.)	Luminous Intensity		Peak Wavelength (nm)	Price Each		
				Min.	Typ.		1	10	100
351-1811	A	Red	2.2	0.3	0.6	695	3.31	3.04	2.78
351-1821	A	Green	2.2	0.5	1.6	565	3.82	3.50	3.16
351-1831	A	Yellow	2.0	0.5	1.4	585	3.82	3.50	3.18
351-1901	B	Red	2.2	---	4.0	695	1.57	1.31	1.19
351-2001	C	Red	2.2	0.4	0.8	695	3.01	2.32	2.11
351-2003	C	Yellow	2.2	1.5	2.5	590	3.75	3.13	2.50

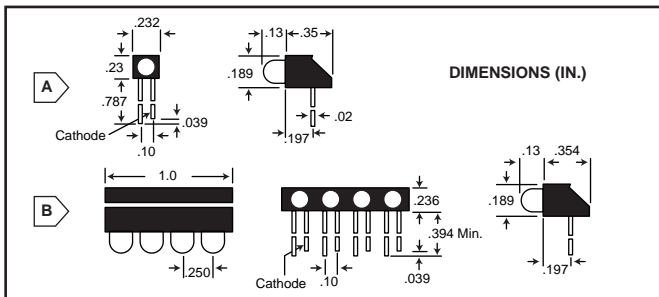
CIRCUIT BOARD LED INDICATORS

Specifications:

- Max. reverse voltage: 5V
- Max. reverse current: 100µA

Features:

- Lens type: diffused
- TTL and DTL compatible
- Low cost/long life
- Black plastic case for high contrast background



DIMENSIONS (IN.)

Individual Unit

MOUSER STOCK NO.	Fig.	Color	Forward Voltage (V)		Luminous Intensity (mcd)		Peak Wavelength (nm)	Price Each			
			Typ.	Max.	Min.	Typ.		1	10	100	500
351-2501	A	Red	2.2	2.8	0.2	2.7	695	.38	.35	.31	Call For Quote
351-2502	A	Green	2.2	2.8	1.0	13.0	570	.42	.38	.35	Call For Quote
351-2503	A	Yellow	2.1	2.8	1.0	15.0	590	.47	.43	.39	Call For Quote
351-2505	A	Red/Green	2.2	2.8	0.8	1.0/6.0	695/570	.78	.71	.64	Call For Quote

4-Unit

351-2601	B	Red	2.2	2.8	1.2	2.7	695	1.22	1.11	1.01	Call
----------	---	-----	-----	-----	-----	-----	-----	------	------	------	------

LED Numeric Displays

DIMENSIONS (IN.)

LED DISPLAYS

Electrical Characteristics:

- Reverse current ($V_r=3V$): 100 μ A

Absolute Maximum Ratings:

- Power dissipation: red=100mW, hi-eff red, orange, yellow, and green=85mW
- Operating temperature range: -40°C to +85°C
- Storage temperature range: -55°C to +100°C

.30" Single Digit

For quantities greater than listed, call for quote.

MOUSER STOCK NO.	Fig.	Color	Description	Peak Wwlength λ_p	VF (V)		Luminous Intensity $I_F=10mA$ (mcd)	Price Each		
					Typ.	Max.		1	10	100
351-0074	A	Red	Com Cathode RHDP	695	1.6	1.9	0.8	1.38	1.18	1.10
351-1230	B	Hi-Eff. Red	Com Cathode RHDP	635	2.1	3.0	1.8	1.82	1.69	1.41
351-1440	B	Yellow	Com Anode RHDP	585	2.1	3.0	1.6	1.82	1.69	1.41
351-1240	B	Yellow	Com Cathode RHDP	585	2.1	3.0	1.6	1.82	1.69	1.41

.30" Overflow Single Digit

For quantities greater than listed, call for quote.

MOUSER STOCK NO.	Fig.	Color	Description	Peak Wwlength λ_p	VF (V)		Luminous Intensity $I_F=10mA$ (mcd)	Price Each		
					Typ.	Max.		1	10	100
351-3740	C	Yellow	Com Anode	585	2.1	3.0	1.6	1.68	1.60	1.48

.56" 1-1/2 Digit

For quantities greater than listed, call for quote.

MOUSER STOCK NO.	Fig.	Color	Description	Peak Wwlength λ_p	VF (V)		Luminous Intensity $I_F=10mA$ (mcd)	Price Each		
					Typ.	Max.		1	10	100
351-5440	D	Yellow	Com Anode RHDP	585	2.1	3.0	1.75	2.63	2.26	2.10
351-5240	D	Yellow	Com Cathode RHDP	585	2.1	3.0	1.75	2.63	2.26	2.10
351-5250	D	Green	Com Cathode RHDP	567	2.1	3.0	1.85	2.63	2.26	2.10

.56" Dual Digit

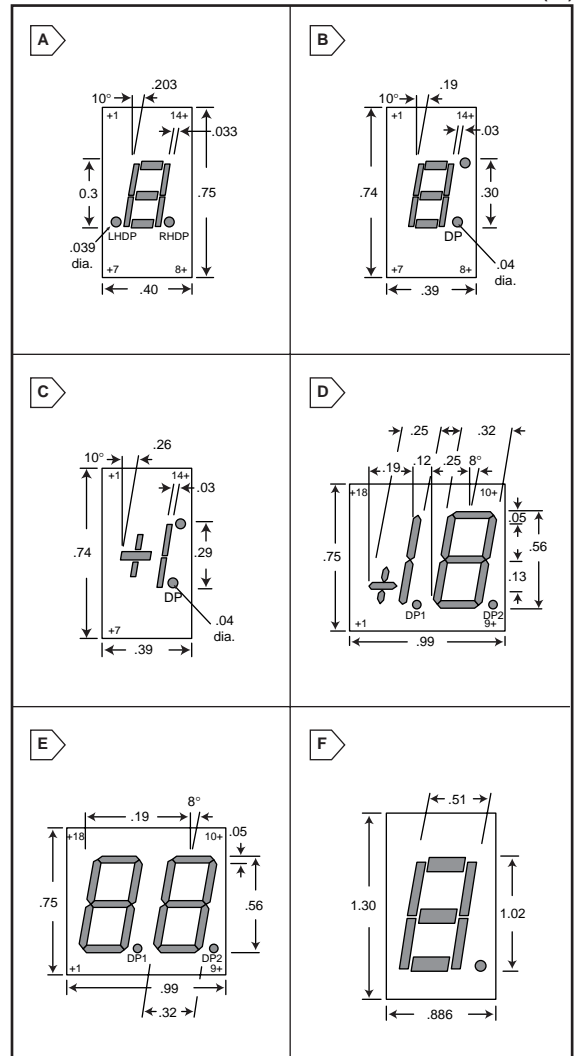
For quantities greater than listed, call for quote.

MOUSER STOCK NO.	Fig.	Color	Description	Peak Wwlength λ_p	VF (V)		Luminous Intensity $I_F=10mA$ (mcd)	Price Each		
					Typ.	Max.		1	10	100
351-6940	E	Red	Com Cathode RHDP	695	2.2	2.8	1.4	2.25	1.94	1.80
351-6410	E	Red	Com Anode RHDP	655	1.7	2.0	0.5	2.25	1.94	1.80
351-6440	E	Yellow	Com Anode RHDP	585	2.1	3.0	1.75	2.25	1.94	1.80
351-6240	E	Yellow	Com Cathode RHDP	585	2.1	3.0	1.75	2.25	1.94	1.80

1.02" Single Digit

For quantities greater than listed, call for quote.

MOUSER STOCK NO.	Fig.	Color	Description	Peak Wwlength λ_p	VF (V)		Luminous Intensity $I_F=10mA$ (mcd)	Price Each		
					Typ.	Max.		1	10	100
351-1623	F	Red	Com Cathode RHDP	695	2.2	2.8	0.8	3.84	3.49	3.17
351-1620	F	Red	Com Anode RHDP	695	2.2	2.8	0.8	3.84	3.49	3.17
351-1720	F	Red	Com Anode RHDP	697	1.6	1.9	1.0	3.51	3.19	2.83



ROHM LED DISPLAYS

Absolute Maximum Ratings:

- Power dissipation: 60mW
- Operating and storage temperature: -40°C+85°C
- Forward current: 25mA
- Reverse voltage (per segment): 5V

.3"±1 Overflow

MOUSER STOCK NO.	Fig.	Color	Description	Peak Wwlength λ_p	VF (V)		Luminous Intensity $I_F=10mA$ (mcd)	Price Each		
					Typ.	Max.		1	10	100
592-LA3630	A	Orange	Common Anode	610	2.0	2.8	1.5	1.68	1.60	1.48

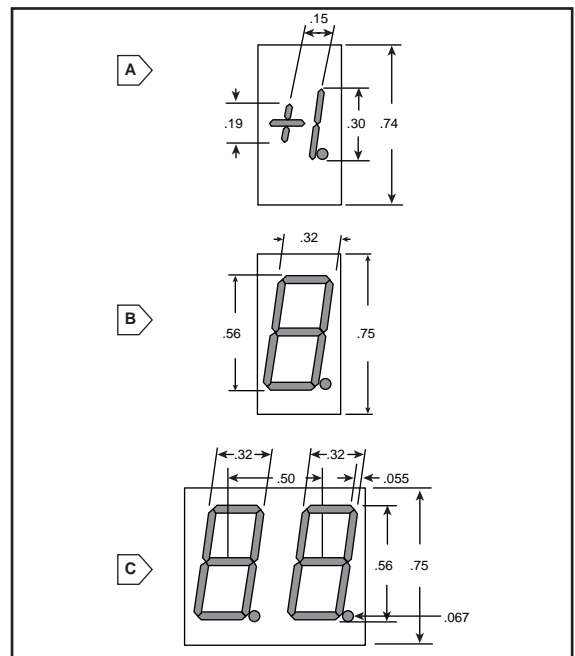
.56" Single Digit

MOUSER STOCK NO.	Fig.	Color	Description	Peak Wwlength λ_p	VF (V)		Luminous Intensity $I_F=10mA$ (mcd)	Price Each		
					Typ.	Max.		1	10	100
592-LA6680	B	Orange	Com Cath RHDP	610	2.0	2.8	1.5	1.78	1.53	1.42
592-LA6480	B	Hi-Eff. Grn	Com Cath RHDP	563	2.1	2.8	2.2	1.78	1.53	1.42

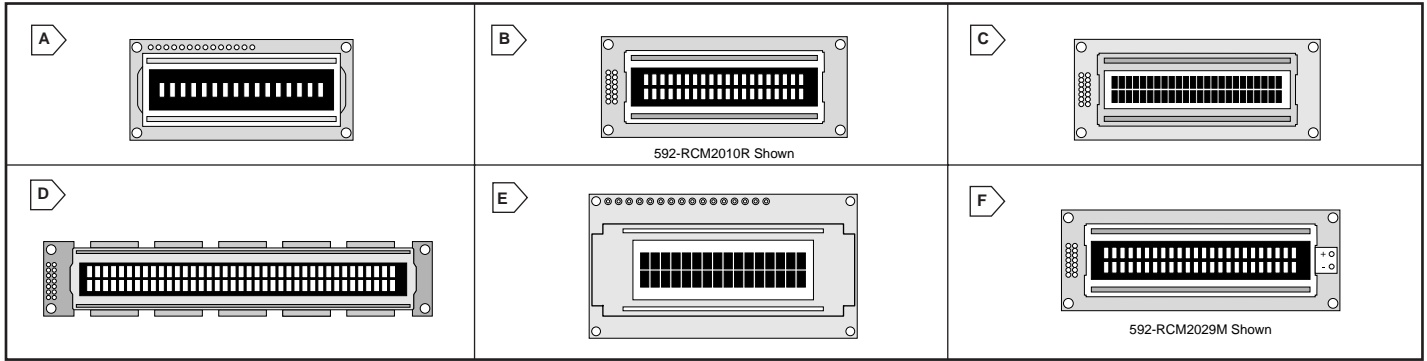
.56" Dual Digit

MOUSER STOCK NO.	Fig.	Color	Description	Peak Wwlength λ_p	VF (V)		Luminous Intensity $I_F=10mA$ (mcd)	Price Each		
					Typ.	Max.		1	10	100
592-LB6610	C	Orange	Com Anode RHDP	610	2.0	2.8	1.5	2.25	1.94	1.80
592-LB6640	C	Orange	Com Cath RHDP	610	2.0	2.8	1.5	2.25	1.94	1.80
592-LB6810	C	Yellow	Com Anode RHDP	585	2.1	2.8	1.0	2.25	1.94	1.80
592-LB6840	C	Yellow	Com Cath RHDP	585	2.1	2.8	1.0	2.25	1.94	1.80

DIMENSIONS (IN)



Display Modules and Indicators



ROHM DOT MATRIX LCD DISPLAY MODULES

Features:

- Wide viewing angle, high contrast ratio
- Can be interfaced with 4-bit or 8-bit MPU
- Built-in character generator RAM, any user design pattern can be displayed
- Clear, easy to read display, with cursor on/off, and character blink

Specifications:

- Supply voltage for logic: 6.5V (max.)
- Supply voltage for driving LCD: 6.5V (max.)
- Operating temperature: 0°C to +50°C
- Storage temperature: -20°C to +70°C

Terminal Function

Pin No.	Symbol
1	VSS
2	VDD
3	VO
4	RS
5	R/W

Terminal Function

Pin No.	Symbol
6	E
7	DB0
8	DB1
9	DB2
10	DB3

Terminal Function

Pin No.	Symbol
11	DB4
12	DB5
13	DB6
14	DB7

Standard (TN) LCD Dot Matrix Modules (Reflective)

MOUSER STOCK NO.	Fig.	Format Character x Ln.	Module Size (mm)	Viewing Area (mm)	Character Size (mm)	Dot Size (mm)	Price Each			
							1	10	20	50
592-RCM2034R	A	16 x 1	80.0 x 36.0	64.5 x 13.8	3.10 x 6.59	0.58 x 0.78	13.80	12.60	10.80	Call For Quote
592-RCM2010R	B	20 x 2	116.0 x 37.0	83.0 x 18.6	3.20 x 5.55	0.66 x 0.65	24.15	22.05	18.90	
592-RCM2030R	C	24 x 2	116.0 x 37.0	83.0 x 18.6	2.70 x 5.55	0.50 x 0.65	35.42	32.34	27.72	
592-RCM2035R	D	40 x 2	182.0 x 33.5	154.0 x 15.3	3.20 x 5.55	0.60 x 0.65	59.80	54.60	46.80	

Standard (TN) LCD Dot Matrix Modules (Reflective) with LED Backlighting

(No external DC to AC inverter needed)

MOUSER STOCK NO.	Fig.	Format Character x Ln.	Module Size (mm)	Viewing Area (mm)	Character Size (mm)	Dot Size (mm)	Price Each			
							1	10	20	50
592-RCM2033M	E	16 x 2	80.0 x 36.0	61.0 x 15.8	2.95 x 4.35	0.50 x 0.55	26.45	24.15	20.70	Call For Quote
592-RCM2011M	F	20 x 2	116.0 x 37.0	83.0 x 18.6	3.20 x 5.55	0.60 x 0.65	38.87	35.49	30.42	
592-RCM2029M	F	24 x 2	116.0 x 37.0	83.0 x 18.6	2.70 x 5.55	0.50 x 0.65	44.85	40.95	35.10	

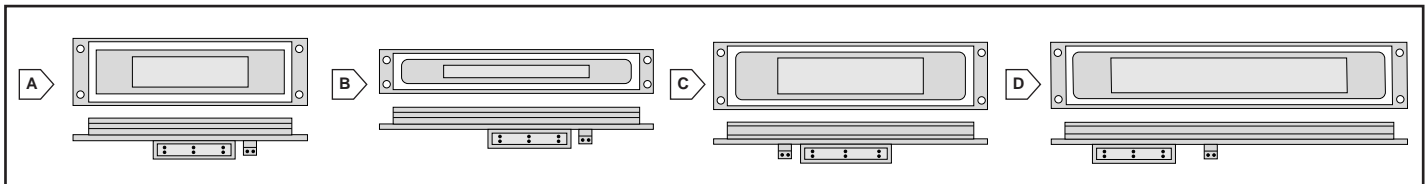
Super-Twist (STN) LCD Dot Matrix Modules (Reflective)

MOUSER STOCK NO.	Fig.	Format Character x Ln.	Module Size (mm)	Viewing Area (mm)	Character Size (mm)	Dot Size (mm)	Price Each			
							1	10	20	50
592-RCM7030X	C	24 x 2	116.0 x 37.0	83.0 x 18.6	2.70 x 5.55	0.50 x 0.65	35.26	32.19	27.59	Call

Super-Twist (STN) LCD Dot Matrix Modules (Transmissive) with LED Backlighting

MOUSER STOCK NO.	Fig.	Format Character x Ln.	Module Size (mm)	Viewing Area (mm)	Character Size (mm)	Dot Size (mm)	Price Each			
							1	10	20	50
592-RCM7011T	B	20 x 2	116.0 x 37.0	83.0 x 18.6	3.20 x 5.55	0.60 x 0.65	45.90	41.90	35.90	Call
592-RCM7029T	C	24 x 2	116.0 x 37.0	83.0 x 18.6	2.70 x 5.55	0.50 x 0.65	49.35	45.05	38.60	

NEC FLUORESCENT INDICATOR PANEL (FIP) MODULES

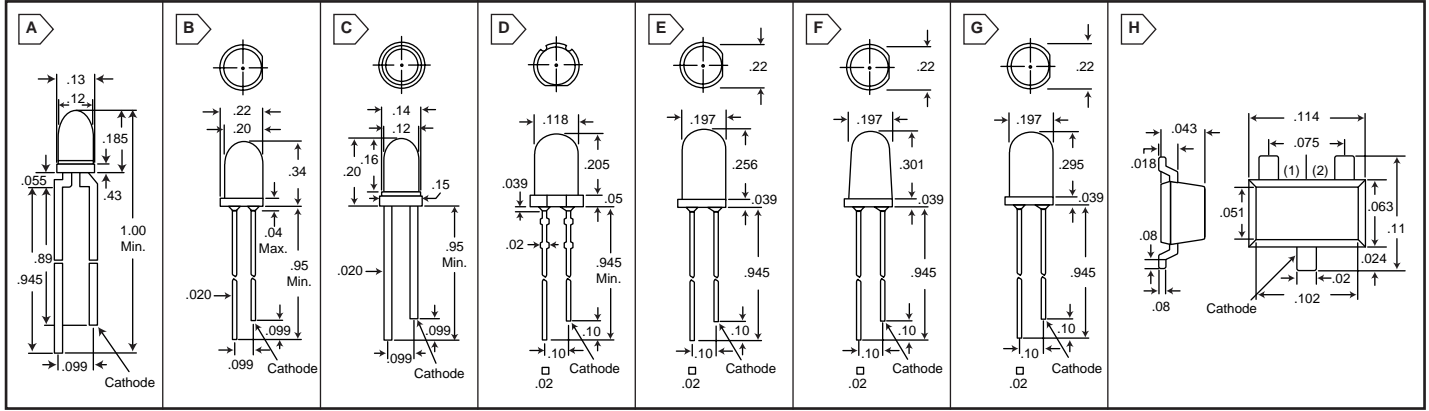


Features:

- Compact size
- NEC's highly integrated driver IC is mounted inside a vacuum sealed envelope
- Low power consumption when a +5 volt power supply is used
- Operating temperature range: -20°C to +70°C
- Selection of four luminance levels
- Input serial data capacity rate of 9600 BAUD

MOUSER STOCK NO.	Fig.	Format Character x Ln.	Module Size (mm)	Viewing Area (mm)	Character Size (mm)	Dot Size (mm)	Price Each			
							1	2	5	10
551-FC16X2CA	A	16 x 2	142.0 x 34.0	74.60 x 18.42	5.0 x 3.3	0.50 x 0.50	142.50	137.75	133.00	Call For Quote
551-FC20X1RA	B	20 x 1	161.0 x 26.0	93.55 x 5.80	5.0 x 3.3	0.50 x 0.50	103.50	100.05	96.60	
551-FC20X2JA	C	20 x 2	161.0 x 34.0	93.55 x 18.42	5.0 x 3.3	0.50 x 0.50	112.50	108.75	105.00	
551-FC40X2EA	D	40 x 2	256.0 x 39.5	188.55 x 18.42	5.0 x 3.3	0.50 x 0.50	163.50	158.05	152.60	

ROHM LED Lamps



DIMENSIONS (IN.)

STANDARD LED LAMPS

Specifications: • Forward current: 20mA (T-1), 25mA (T-1 3/4) • Peak forward current: 60mA

T-1 Miniature Size (3mm)

For quantities greater than listed, call for quote.

MOUSER STOCK NO.	Fig.	Color		Forward Voltage @ $I_F = 20\text{mA}$		Luminous Intensity @ 20mA(mcd)		Peak Wavelength λ_p (nm)	Viewing Angle	Price Each		
		LED	Lens	Typical	Maximum	Minimum	Typical			1	100	500
592-SLR37VC3	A	Red	Red Clear	2.0	3.0	5.6	16.0	650	60°	.20	.16	.12
592-SLR37DC3	A	Orange	Orange Clr	2.0	3.0	5.6	16.0	610	60°	.20	.16	.14
592-SLR37YC3	A	Yellow	Yellow Clr	2.1	3.0	5.6	16.0	585	60°	.20	.16	.14
592-SLR37MC3	A	Green	Green Clr	2.1	3.0	9.0	25.0	563	60°	.20	.16	.12
592-SLR37VR3	A	Red	Red Diff	2.0	3.0	2.2	8.0	650	60°	.20	.16	.12
592-SLR37DU3	A	Orange	Orange Diff	2.0	3.0	2.2	8.0	610	60°	.20	.16	.12
592-SLR37YY3	A	Yellow	Yellow Diff	2.1	3.0	2.2	8.0	585	60°	.20	.16	.12
592-SLR37MG3	A	Green	Green Diff	2.1	3.0	3.6	12.0	563	60°	.20	.16	.12

T-1 3/4 Standard Size (5mm)

For quantities greater than listed, call for quote.

MOUSER STOCK NO.	Fig.	Color		Forward Voltage @ $I_F = 20\text{mA}$		Luminous Intensity @ 20mA(mcd)		Peak Wavelength λ_p (nm)	Viewing Angle	Price Each		
		LED	Lens	Typical	Maximum	Minimum	Typical			1	100	500
592-SLR56VC3	B	Red	Red Clear	2.0	3.0	5.6	16.0	650	60°	.22	.17	.13
592-SLR56DC3	B	Orange	Orange Clr	2.0	3.0	5.6	16.0	610	60°	.22	.17	.13
592-SLR56MC3	B	Green	Green Clr	2.1	3.0	9.0	25.0	563	60°	.22	.17	.13
592-SLR56VR3	B	Red	Red Diff	2.0	3.0	2.2	8.0	650	60°	.22	.17	.13
592-SLR56DU3	B	Orange	Orange Diff	2.0	3.0	2.2	8.0	610	60°	.20	.16	.14
592-SLR56YY3	B	Yellow	Yellow Diff	2.1	3.0	2.2	8.0	585	60°	.22	.17	.13
592-SLR56MG3	B	Green	Green Diff	2.1	3.0	3.6	12.0	563	60°	.22	.17	.13

SUPER-BRIGHT LED LAMPS

Electrical Specifications ($T_a = 25^\circ\text{C}$):

- Power dissipation: 75mW
- Peak forward current: 60mA
- Absolute Maximum Ratings:
- Forward current: 25mA
- Operating and storage temperature: -55°C to $+100^\circ\text{C}$

T-1 Miniature Size (3mm)

For quantities greater than listed, call for quote.

MOUSER STOCK NO.	Fig.	Color		Forward Voltage @ $I_F = 20\text{mA}$		Luminous Intensity @ 20mA(mcd)		Peak Wavelength λ_p (nm)	Viewing Angle	Price Each		
		LED	Lens	Typical	Maximum	Minimum	Typical			1	100	500
592-SLH34VR3	C	Red	Red Diff	2.1	3.0	22	80	650	40°	.23	.18	.14
592-SLH34MG3	C	Green	Green Diff	2.2	3.0	22	100	563	40°	.23	.18	.14
592-SLH34VC3	C	Red	Red Clear	2.1	3.0	56	200	650	40°	.23	.18	.14

T-1 3/4 Standard Size (5mm)

For quantities greater than listed, call for quote.

MOUSER STOCK NO.	Fig.	Color		Forward Voltage @ $I_F = 20\text{mA}$		Luminous Intensity @ 20mA(mcd)		Peak Wavelength λ_p (nm)	Viewing Angle	Price Each		
		LED	Lens	Typical	Maximum	Minimum	Typical			1	100	500
592-SLH56VR3	B	Red	Red Diff	2.1	3.0	36	100	650	40°	.24	.19	.14
592-SLH56MG3	B	Green	Green Diff	2.2	3.0	36	100	563	40°	.24	.19	.14
592-SLH56MC3	B	Green	Green Clr	2.1	3.0	56	200	563	40°	.24	.19	.14

ULTRA SUPER-BRIGHT LED LAMPS

T-1 Miniature Size

For quantities greater than listed, call for quote.

MOUSER STOCK NO.	Fig.	Color		Forward Voltage @ $I_F = 20\text{mA}$		Luminous Intensity @ 20mA(mcd)		Peak Wavelength λ_p (nm)	Viewing Angle	Price Each		
		LED	Lens	Typical	Maximum	Minimum	Typical			1	100	500
592-SLA370JT3	D	Red	Water Clear	1.75	2.5	200	470	660	25°	.90	.72	.54
592-SLA370MT3	D	Green	Water Clear	2.3	3.0	42	100	563	25°	.43	.34	.26

T-1 3/4 Standard Size

For quantities greater than listed, call for quote.

MOUSER STOCK NO.	Fig.	Color		Forward Voltage @ $I_F = 20\text{mA}$		Luminous Intensity @ 20mA(mcd)		Peak Wavelength λ_p (nm)	Viewing Angle	Price Each		
		LED	Lens	Typical	Maximum	Minimum	Typical			1	100	500
592-SLA560JT3	E	Red	Water Clear	1.75	2.5	200	470	660	40°	.75	.60	.45
592-SLA560MT3	E	Green	Water Clear	2.2	3.0	42	100	563	40°	.22	.17	.14
592-SLA570JT3	F	Red	Water Clear	1.75	2.5	420	1000	660	24°	.59	.44	.38
592-SLA570MT3	F	Green	Water Clear	2.2	3.0	42	185	563	24°	.22	.17	.14
592-SLA580JT3	G	Red	Water Clear	1.75	2.5	420	1000	660	12°	.59	.44	.38
592-SLA580MT3	G	Green	Water Clear	2.2	3.0	135	330	563	12°	.22	.17	.14

STANDARD SMD (SOT-23) LED LAMPS

◆ Surface Mount Devices

MOUSER STOCK NO.	Fig.	Color		Forward Voltage @ $I_F = 20\text{mA}$		Luminous Intensity @ 20mA(mcd)		Peak Wavelength λ_p (nm)	Viewing Angle	Price Each		
		LED	Lens	Typical	Maximum	Minimum	Typical			1	100	500
◆ 592-SLM13YW	H	Yellow	Milky White	2.1	2.8	0.36	1.0	585	180°x120°	.37	.28	.24
◆ 592-SLM13MW	H	Green	Milky White	2.1	2.8	0.90	2.5	563	180°x120°	.37	.28	.24
◆ 592-SLM23VMW	H	Red/Green	Milky White	2.0	2.8	0.36/0.9	1.0/2.5	650/563	180°x120°	.70	.53	.46

NEW!



LED Lamps

LED LAMPS

Standard T-1

• Forward current: 10mA

For quantities greater than listed, call for quote.

MOUSER STOCK NO.	Fig.	Color		Forward Voltage		Luminous Intensity		Peak Wave-length (nm)	Viewing Angle	Price Each		
		LED	Lens	Typ.	Max.	Min.	Max.			1	100	500
604-L934HD	A	Red	Red Diff.	2.0	2.5	1.3	5.0	700	60°	.16	.13	.11
604-L934ID	A	Hi-Eff. Red	Red Diff.	2.0	2.5	12.5	50.0	625	60°	.18	.15	.12
604-L934GD	A	Green	Green Diff.	2.2	2.5	8.0	32.0	565	60°	.20	.17	.14
604-L934YD	A	Yellow	Yellow Diff.	2.1	2.5	8.0	32.0	590	60°	.22	.19	.15
604-L934IT	A	Hi-Eff. Red	Red Trans.	2.0	2.5	32.0	125.0	625	50°	.18	.15	.12
604-L934GT	A	Green	Green Trans.	2.2	2.5	20.0	80.0	565	50°	.21	.17	.14
604-L934YT	A	Yellow	Yellow Trans.	2.1	2.5	10.0	50.0	590	50°	.21	.17	.14

Standard T-1 3/4

• Forward current: 10mA

For quantities greater than listed, call for quote.

MOUSER STOCK NO.	Fig.	Color		Forward Voltage		Luminous Intensity		Peak Wave-length (nm)	Viewing Angle	Price Each		
		LED	Lens	Typ.	Max.	Min.	Max.			1	100	500
604-L53HD	B	Red	Red Diff.	2.0	2.5	2.0	5.0	700	60°	.16	.13	.11
604-L53ID	B	Hi-Eff. Red	Red Diff.	2.0	2.5	20.0	80.0	625	60°	.18	.15	.12
604-L53GD	B	Green	Green Diff.	2.2	2.5	5.0	32.0	565	60°	.19	.16	.13
604-L53YD	B	Yellow	Yellow Diff.	2.1	2.5	5.0	32.0	590	60°	.22	.19	.15
604-L53IT	B	Hi-Eff. Red	Red Trans.	2.0	2.5	50.0	200.0	625	30°	.18	.15	.12
604-L53GT	B	Green	Green Trans.	2.2	2.5	20.0	80.0	565	30°	.17	.13	.12
604-L53YT	B	Yellow	Yellow Trans.	2.1	2.5	20.0	80.0	590	30°	.18	.15	.12

8mm

• Forward current: 20mA

For quantities greater than listed, call for quote.

MOUSER STOCK NO.	Fig.	Color		Forward Voltage		Luminous Intensity		Peak Wave-length (nm)	Viewing Angle	Price Each		
		LED	Lens	Typ.	Max.	Min.	Max.			1	100	500
604-L793ID	C	Hi-Eff. Red	Red Diff.	2.0	2.5	20.0	100.0	625	60°	.34	.27	.24
604-L793GD	C	Green	Green Diff.	2.2	2.5	20.0	70.0	565	60°	.34	.27	.24
604-L793YD	C	Yellow	Yellow Diff.	2.1	2.5	20.0	70.0	590	60°	.34	.27	.24

Super Bright T-1

• Forward current: 20mA

For quantities greater than listed, call for quote.

MOUSER STOCK NO.	Fig.	Color		Forward Voltage		Luminous Intensity		Peak Wave-length (nm)	Viewing Angle	Price Each		
		LED	Lens	Typ.	Max.	Min.	Max.			1	100	500
604-L934SRCD	A	Red	Water Clear	1.85	2.5	500	700	660	50°	.41	.33	.28
604-L934SRCF	A	Red	Water Clear	1.85	2.5	1000	1200	660	50°	.73	.58	.50
604-L934SGC	A	Green	Water Clear	2.2	2.5	100	300	565	50°	.21	.17	.14
604-L934SRDD	A	Red	Red Diffused	1.85	2.5	100	200	660	60°	.36	.29	.25
604-L934SRDE	A	Red	Red Diffused	1.85	2.5	200	300	660	60°	.41	.33	.28
604-L934SRDG	A	Red	Red Diffused	1.85	2.5	400	600	660	60°	.88	.71	.60
604-L934SGD	A	Green	Grn Diffused	2.2	2.5	40	60	565	60°	.21	.17	.14

Super Bright T-1 3/4

• Forward current: 20mA

For quantities greater than listed, call for quote.

MOUSER STOCK NO.	Fig.	Color		Forward Voltage		Luminous Intensity		Peak Wave-length (nm)	Viewing Angle	Price Each		
		LED	Lens	Typ.	Max.	Min.	Max.			1	100	500
604-L53SRCC	B	Red	Water Clear	1.85	2.5	500	1000	660	30°	.27	.22	.19
604-L53SRCDU	B	Red	Water Clear	1.85	2.5	1000	1300	660	30°	.32	.25	.22
604-L53SRCE	B	Red	Water Clear	1.85	2.5	2000	3500	660	30°	.69	.55	.47
604-L53SGC	B	Green	Water Clear	2.2	2.5	100	300	565	30°	.23	.18	.16
604-L53SRDD	B	Red	Red Diffused	1.85	2.5	100	200	660	60°	.32	.25	.22
604-L53SRDF	B	Red	Red Diffused	1.85	2.5	500	700	660	60°	.64	.51	.44
604-L53SRDG	B	Red	Red Diffused	1.85	2.5	700	1000	660	60°	.69	.55	.47
604-L53SGD	B	Green	Green Diff.	2.2	2.5	40	60	565	60°	.21	.17	.14

Super Bright 10mm

• Forward current: 20mA

For quantities greater than listed, call for quote.

MOUSER STOCK NO.	Fig.	Color		Forward Voltage		Luminous Intensity		Peak Wave-length (nm)	Viewing Angle	Price Each		
		LED	Lens	Typ.	Max.	Min.	Max.			1	100	500
604-L813SRCC	C	Red	Water Clear	1.85	2.5	1000	1600	660	40°	.55	.44	.37
604-L813SRCE	D	Red	Water Clear	1.85	2.5	2000	3000	660	40°	.91	.73	.62

Pin Point .08" (2mm)

• Forward current: 20mA

For quantities greater than listed, call for quote.

MOUSER STOCK NO.	Fig.	Color		Forward Voltage		Luminous Intensity		Peak Wave-length (nm)	Viewing Angle	Price Each		
		LED	Lens	Typ.	Max.	Min.	Max.			1	100	500
604-L21HD	E	Red	Red Diff.	2.0	2.5	0.5	0.8	700	60°	.21	.17	.14
604-L21GD	E	Green	Green Diff.	2.25	2.6	1.25	3.2	565	60°	.21	.17	.14
604-L21YD	E	Yellow	Yellow Diff.	2.1	2.5	2.0	3.2	590	60°	.23	.18	.16

Rectangular

• Forward current: 10mA

For quantities greater than listed, call for quote.

MOUSER STOCK NO.	Fig.	Color		Forward Voltage		Luminous Intensity		Peak Wave-length (nm)	Viewing Angle	Price Each		
		LED	Lens	Typ.	Max.	Min.	Max.			1	100	500
604-L103HD	F	Red	Red Diffused	2.0	2.5	0.5	2.0	700	110°	.16	.13	.11
604-L103GD	F	Green	Green Diff.	2.0	2.5	2.0	8.0	565	110°	.16	.13	.11
604-L103YD	F	Yellow	Yellow Diff.	2.1	2.5	2.0	8.0	590	110°	.18	.15	.12
604-L113HDT	G	Red	Red Diffused	2.0	2.5	0.5	2.0	700	110°	.17	.14	.12
604-L113GDT	G	Green	Green Diff.	2.2	2.5	2.0	8.0	565	110°	.19	.16	.13
604-L113YDT	G	Yellow	Yellow Diff.	2.1	2.5	2.0	8.0	590	110°	.19	.15	.13
604-L153HDT	H	Red	Red Diffused	2.0	2.5	0.8	1.3	700	110°	.19	.16	.13
604-L153GDT	H	Green	Green Diff.	2.2	2.5	1.3	8.0	565	110°	.19	.16	.13
604-L153YDT	H	Yellow	Yellow Diff.	2.1	2.5	1.3	8.0	590	110°	.18	.15	.12

Square .2" x .2" (5mm x 5mm)

• Forward current: 20mA

For quantities greater than listed, call for quote.

MOUSER STOCK NO.	Fig.	Color		Forward Voltage		Luminous Intensity		Peak Wave-length (nm)	Viewing Angle	Price Each		
		LED	Lens	Typ.	Max.	Min.	Max.			1	100	500
604-L503HDT	I	Red	Red Diff.	2.0	2.5	0.5	2.0	700	110°	.21	.17	.14
604-L503GDT	I	Green	Green Diff.	2.25	2.6	1.3	8.0	565	110°	.23	.18	.16
604-L503YDT	I	Yellow	Yellow Diff.	2.1	2.5	1.3	8.0	590	110°	.23	.18	.16

Cylindrical

• Forward current: 10mA

For quantities greater than listed, call for quote.

MOUSER STOCK NO.	Fig.	Color		Forward Voltage		Luminous Intensity		Peak Wave-length (nm)	Viewing Angle	Price Each		
		LED	Lens	Typ.	Max.	Min.	Max.			1	100	500
604-L483IDT	J	Hi-Eff. Red	Red Diffused	2.0	2.5	3.2	12.5	625	100°	.23	.18	.16
604-L483GDT	J	Green	Green Diff.	2.2	2.5	1.3	8.0	565	100°	.23	.18	.16
604-L483YDT	J	Yellow	Yellow Diff.	2.1	2.5	1.3	8.0	590	100°	.23	.18	.16

T-1 Dual Color

• Forward current: 20mA

For quantities greater than listed, call for quote.

MOUSER STOCK NO.	Fig.	Color		Forward Voltage		Luminous Intensity		Peak Wave-length (nm)	Viewing Angle	Price Each		
		LED	Lens	Typ.	Max.	Min.	Max.			1	100	500
604-L937EGW	A	Red/Green	White Diff.	2.0/2.2	2.5/2.5	8/8	40/40	625/565	60°	.41	.33	.28
604-L937GYW	A	Green/Yellow	White Diff.	2.2/2.1	2.5/2.5	8/5	40/20	565/590	60°	.46	.36	.31
604-L93WEGW	K	Red/Green	White Diff.	2.0/2.2	2.5/2.5	20/20	50/50	625/565	60°	.50	.40	.34
604-L93WEGC	K	Red/Green	Water Clear	2.0/2.2	2.5/2.5	40/20	160/80	625/565	24°	.55	.44	.37

T-1 3/4 Dual Color

• Forward current: 20mA

For quantities greater than listed, call for quote.

MOUSER STOCK NO.	Fig.	Color		Forward Voltage		Luminous Intensity		Peak Wave-length (nm)	Viewing Angle	Price Each		
		LED	Lens	Typ.	Max.	Min.	Max.			1	100	500
604-L57EGW	B	Red/Green	White Diff.	2.0/2.2	2.5/2.5	20/15	50/40	625/565	60°	.47	.40	.32
604-L57GYW	B	Green/Yellow	White Diff.	2.2/2.1	2.5/2.5	12.5/5	40/20	565/590	60°	.91	.73	.62
604-L59EGW	L	Red/Green	White Diff.	2.0/2.2	2.5/2.5	20/20	90/70	625/565	60°	.47	.40	.32
604-L59GYW	L	Green/Yellow	White Diff.	2.2/2.1	2.5/2.5	20/20	70/60	565/590	60°	.46	.36	.31

Rectangular Dual Color

• Forward current: 20mA

For quantities greater than listed, call for quote.

MOUSER STOCK NO.	Fig.	Color		Forward Voltage		Luminous Intensity		Peak Wave-length (nm)	Viewing Angle	Price Each		
		LED	Lens	Typ.	Max.	Min.	Max.			1	100	500

LED Lamps



BLUE LED LAMPS

This new series offers a brighter version of the blue LED's without the high costs that is associated with the Super Bright Blue LED's. This offers our customers the more popular sizes and lens colors that have been requested at a modest cost.

T-1 (3mm) Size

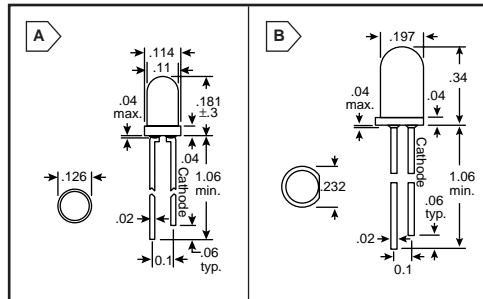
For quantities greater than listed, call for quote.

MOUSER STOCK NO.	Fig.	Color		Fwd. Voltage (I _F = 20mA)		Luminous Intensity		Peak Wavelength λ _p (nm)	Viewing Angle	Price Each		
		LED	Lens	Typ.	Max.	Min.	Typ.			1	100	500
604-L934MBD	A	Blue	Blue Diff.	4.5	5.5	12.5	40.0	430	60°	3.36	3.02	2.86
604-L934MBC	A	Blue	Water Clear	4.5	5.5	20.0	90.0	430	20°	3.36	3.02	2.86

T-1 3/4 (5mm) Size

For quantities greater than listed, call for quote.

MOUSER STOCK NO.	Fig.	Color		Fwd. Voltage		Luminous Intensity		Peak Wavelength λ _p (nm)	Viewing Angle	Price Each		
		LED	Lens	Typ.	Max.	Min.	Typ.			1	100	500
604-L53MBD	B	Blue	Blue Diff.	4.8	5.8	20.0	50.0	430	50°	3.36	3.02	2.86
604-L53MBC	B	Blue	Water Clear	4.8	5.8	60.0	150.0	430	16°	3.36	3.02	2.86



MULTI-COLOR LED LAMP

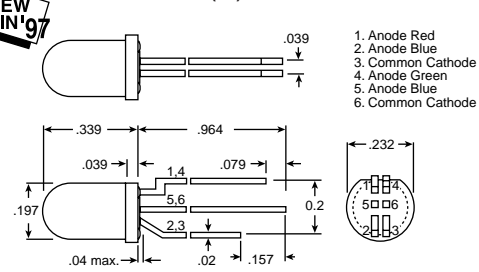
This unique LED indicator design combines a red, green, and two blue chips in a single 5mm package. This device is able to produce a wide range of colors in the visible spectrum by simply varying the current to each of the LEDs. The industry standard 5mm package has a white diffused lens which allows color mixing within the package. The multi-color package allows limited design and product flexibility by choosing any color desired and allowing the flexibility to change the color later.

For quantities greater than listed, call for quote.

MOUSER STOCK NO.	Color		Fwd. Voltage (I _F = 20mA)		Luminous Intensity		Peak Wavelength λ _p (nm)	Viewing Angle	Price Each		
	LED	Lens	Typ.	Max.	Min.	Typ.			1	100	500
604-LF59EBGBW	Red	White Diffused	2.0	2.5	20.0	90.0	625	30°	7.00	6.30	5.95
	Green	White Diffused	2.2	2.5	20.0	70.0	565	30°			
	Blue	White Diffused	3.8	4.4	1.2	2.5	470	30°			
	Blue	White Diffused	3.8	4.4	1.2	2.5	470	30°			

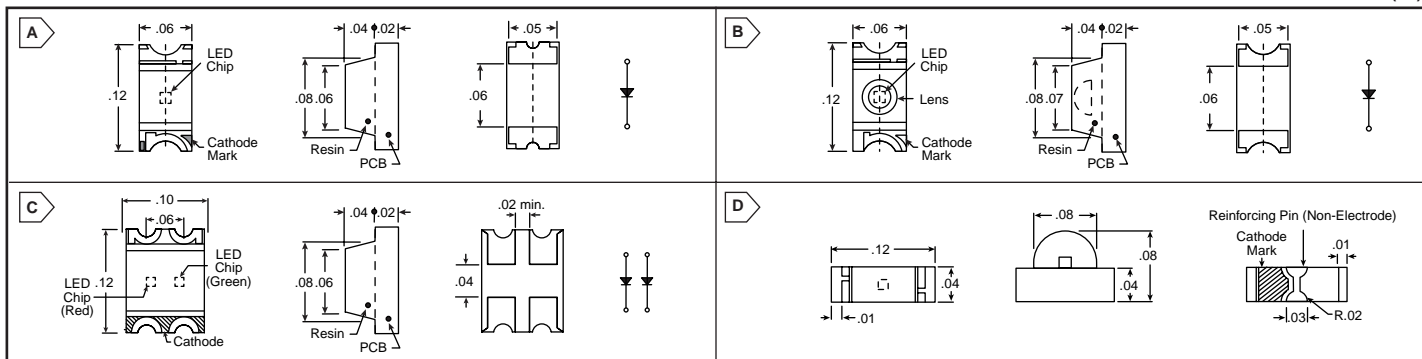


DIMENSIONS (IN.)



SURFACE MOUNT LEDs

DIMENSIONS (IN.)



Chip Type Surface Mount LED Flat Lens

MOUSER STOCK NO.	Fig.	Emitted Color	Lens	Peak Wavelength λ _p (nm)	V _F		Luminous Intensity I _v			Viewing Angle	Price Each			
					Typ.	Max.	Min.	Typ.	I _F (mA)		1	100	500	1000
509-PY1101W	A	Yellow	Water Clear	570	2.1	2.5	1.4	4	20	140°	.36	.27	.24	Call

Chip Type Surface Mount LED Inner Lens

509-PY1102W	B	Yellow	Water Clear	570	2.1	2.5	6	12	20	70°	.36	.27	.24	Call
-------------	---	--------	-------------	-----	-----	-----	---	----	----	-----	-----	-----	-----	------

Chip Type Surface Mount LED Bi-Color Flat Lens

509-BRPG1201W	C	Red/Green	Water Clear	660/560	1.7/2.1	2.0/2.5	1.6/1.2	4.5/3	20	160°	.61	.47	.41	Call
---------------	---	-----------	-------------	---------	---------	---------	---------	-------	----	------	-----	-----	-----	------

Right Angle Surface Mount LEDs

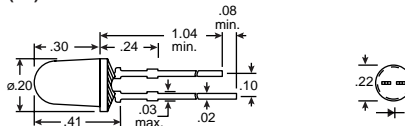
509-PY1101F	D	Yellow	Clear	570	2.1	2.5	4.4	8.8	20	130° x 170°	.46	.35	.31	Call
-------------	---	--------	-------	-----	-----	-----	-----	-----	----	-------------	-----	-----	-----	------

HI-SUPER BRIGHT T-1 3/4 LED LAMPS

DIMENSIONS (IN.)

For quantities greater than listed, call for quote.

MOUSER STOCK NO.	Color		Peak Wavelength λ _p (nm)	Forward Voltage (Typ.)	Luminous Intensity I _v @ 20mA		Price Each		
	LED	Lens			Min.	Typ.	1	200	400
509-ER500L	Red	Water Clear	660	1.7	400	500	.63	.48	.45

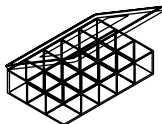


LIGHT EMITTING DIODE KIT

Contains:

- T-1 diffused red, green, yellow
- T-1 clear red, green, yellow
- T-1 3/4 dual color diffused red, green, yellow
- T-1 3/4 clear red, green, yellow

- Rectangular diffused red, green, yellow
- Square diffused red
- T-1 3/4 dual color diffused red and green
- Rectangular dual color diffused and green



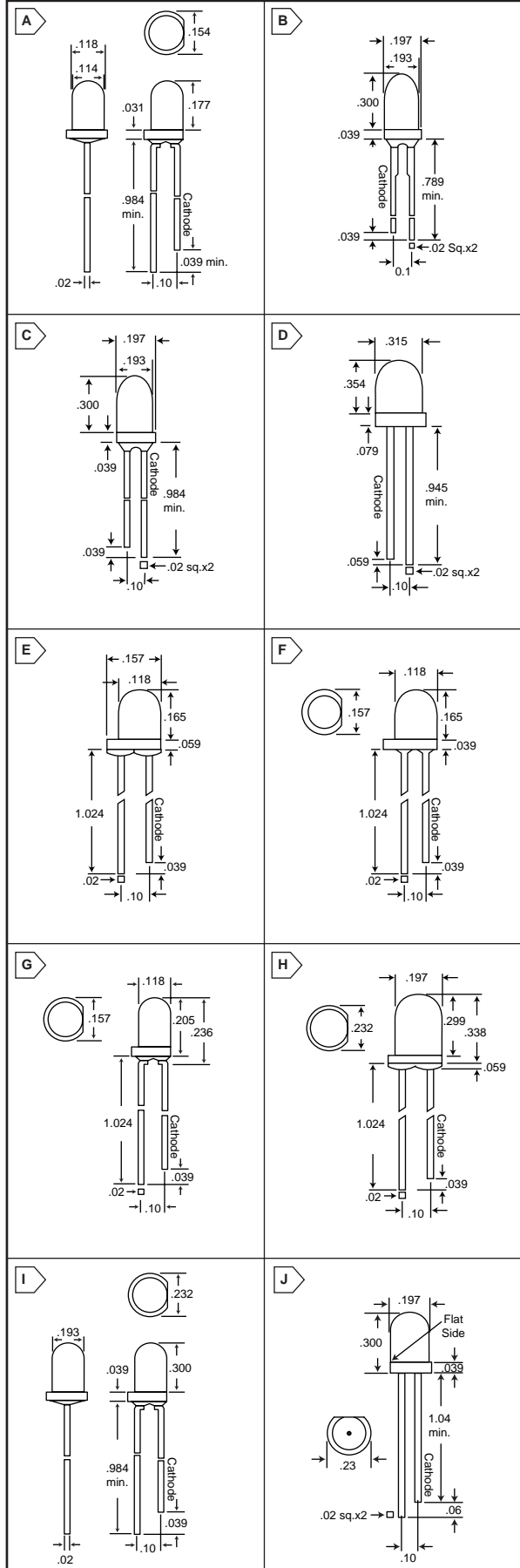
Features:

- 18 types fully assembled and keyed for easy use
- Compatible with most DTL and TTL circuits
- Both clear and diffused lenses
- T-1 and T-1 3/4 round, rectangular, and square packaging
- 2 dual color LEDs included

MOUSER STOCK NO.	Pieces in Each Kit	Price Each
370-LED-2	180	33.95

LED Lamps

DIMENSIONS (IN.)



STANDARD LED LAMPS

- Average forward current: 30mA max.
- Reverse voltage: 5V max.

For quantities greater than listed, call for quote.

MOUSER STOCK NO.	Fig.	Color		Forward Voltage @ I _F = 20mA		Luminous Intensity @ 10mA(mcd)		Peak Wave-Length (nm)	Viewing Angle	Price Each		
		LED	Lens	Typ.	Max.	Min.	Typ.			1	100	500
T-1 Miniature Size (3mm)												
351-3102	A	Red	Red Diff	2.2	2.8	2.0	4.0	695	40°	.19	.14	.13
351-3003	A	Green	Green Diff	2.2	2.8	3.0	7.0	570	120°	.19	.14	.13
351-3103	A	Green	Green Diff	2.2	2.8	7.0	17.0	570	40°	.19	.14	.13
35BL506	A	Yellow	Yellow Diff	2.0	2.8	1.0	3.2	585	40°	.19	.14	.13
351-3016	A	Green	Green Clear	2.2	2.8	25.0	30.0	570	40°	.19	.14	.13
351-3014	A	Yellow	Yellow Clr	2.1	2.8	6.0	18.0	590	40°	.19	.14	.13
T-1 3/4 Standard Size (5mm)												
351-5001	B	Red	Red Diff	1.7	2.0	0.5	1.0	655	130°	.19	.14	.13
351-5022	C	Red	Red Diff	2.2	2.8	2.0	5.0	695	35°	.19	.14	.13
351-5003	B	Green	Green Diff	2.2	2.8	3.5	6.5	570	130°	.19	.14	.13
351-5023	C	Green	Green Diff	2.2	2.8	2.0	18.0	570	35°	.19	.14	.13
351-5025	C	Orange	Orange Diff	2.0	2.8	6.0	18.0	635	35°	.19	.14	.13
351-5004	B	Yellow	Yellow Diff	2.0	2.8	3.0	6.0	585	130°	.19	.14	.13
351-5024	C	Yellow	Yellow Diff	2.0	2.8	5.0	11.0	585	35°	.19	.14	.13
351-5031	C	Red	Red Clear	2.1	2.8	5.0	13.0	695	35°	.19	.14	.13
351-5035	C	Orange	Orange Clr	2.0	2.8	20.0	50.0	635	35°	.19	.14	.13
351-5034	C	Yellow	Yellow Clr	2.1	2.8	20.0	35.0	590	35°	.19	.14	.13
Jumbo Size (8mm)												
351-7542	D	Red	Red Diff	2.1	3.0	4.1	10.3	635	40°	.66	.44	.40
351-7540	D	Green	Green Diff	2.1	3.0	3.5	8.9	567	40°	.69	.47	.43
351-7541	D	Yellow	Yellow Diff	2.1	3.0	2.9	7.3	585	40°	.74	.49	.45

SUPER-BRIGHT LED LAMPS

- Operating and storage temperature: -40°C to 100°C

T-1 Miniature Size (3mm)

- Reverse current 100µA
- Forward current: 40mW max.
- Reverse voltage: 5V max.

For quantities greater than listed, call for quote.

MOUSER STOCK NO.	Fig.	Color		Forward Voltage @ I _F = 20mA		Luminous Intensity @ 10mA(mcd)		Peak Wave-Length (nm)	Viewing Angle	Price Each		
		LED	Lens	Typ.	Max.	Min.	Typ.			1	10	100
351-3232	E	Red	Diffused	1.5	2.4	100	180	660	68°	.30	.25	.22
351-3242	E	Green	Diffused	1.7	2.8	18	30	565	68°	.30	.25	.22
351-3252	E	Yellow	Diffused	1.7	2.8	150	280	585	68°	.30	.25	.22
351-3231	F	Red	Transparent	1.5	2.4	180	300	660	20°	.30	.25	.22
351-3241	F	Green	Transparent	1.7	2.8	36	60	565	20°	.30	.25	.22
351-3251	F	Yellow	Transparent	1.7	2.8	36	60	585	20°	.30	.25	.22
351-3230	G	Red	Water Clear	1.5	2.4	150	300	660	38°	.30	.25	.22
351-3240	G	Green	Water Clear	1.7	2.8	150	300	565	38°	.30	.25	.22
351-3250	G	Yellow	Water Clear	1.7	2.8	150	300	585	38°	.30	.25	.22

T-1 3/4 Standard Size (5mm)

- Reverse current 100µA
- Forward current: 30mW max.
- Reverse voltage: 4V max.

For quantities greater than listed, call for quote.

MOUSER STOCK NO.	Fig.	Color		Forward Voltage @ I _F = 20mA		Luminous Intensity @ 10mA(mcd)		Peak Wave-Length (nm)	Viewing Angle	Price Each		
		LED	Lens	Typ.	Max.	Min.	Typ.			1	10	100
351-5111	H	Red	Diffused	1.5	2.4	120	200	660	44°	.30	.25	.22
351-5502	H	Green	Diffused	1.7	2.8	25	40	565	44°	.30	.25	.22
351-5302	H	Yellow	Diffused	1.7	2.8	180	300	585	44°	.30	.25	.22
351-5110	H	Red	Transparent	1.5	2.4	600	1000	660	20°	.30	.25	.22
351-5501	H	Green	Transparent	1.7	2.8	180	300	565	20°	.30	.25	.22
351-5301	H	Yellow	Transparent	1.7	2.8	150	250	585	20°	.30	.25	.22
* 351-5540	C	Red	Red Clear	1.7	2.2	400	1000	660	12°	.66	.51	.46
351-0650CR	I	Red	Water Clear	1.8	2.5	400	650	660	15°	1.04	.80	.73
351-5100	H	Red	Water Clear	1.5	2.4	600	1000	660	20°	.24	.20	.18
351-5200	H	Red	Water Clear	1.5	2.4	1200	2000	660	20°	.77	.64	.58
351-5500	H	Green	Water Clear	1.7	2.8	300	500	565	20°	.24	.20	.18
351-5300	H	Yellow	Water Clear	1.7	2.8	150	300	585	20°	.24	.20	.18

* Anode lead is on the flat side of the LED

BLINKING LED'S

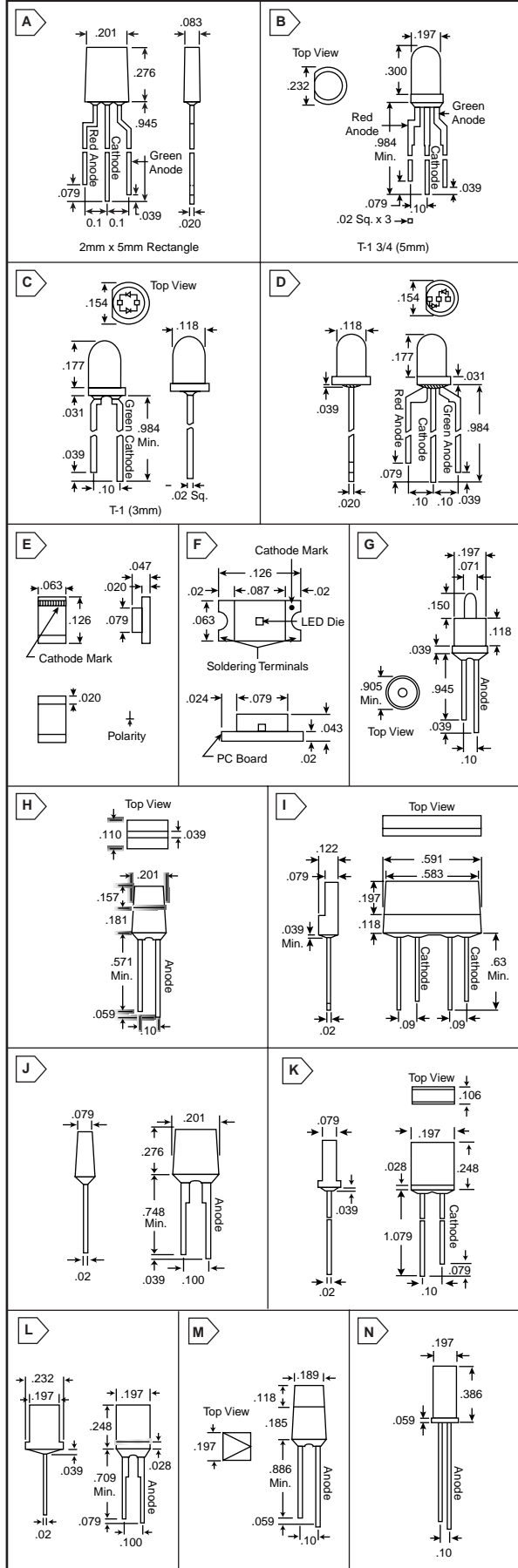
Ta = 25°C Test Condition @ 5V (Typical Characteristics)

For quantities greater than listed, call for quote.

MOUSER STOCK NO.	Fig.	Color		Forward Voltage		Luminous Intensity		Peak Wave-Length (nm)	Viewing Angle	Price Each		
		LED	Lens	Typ.	Max.	Min.	Typ.			1	10	100
351-8001	J	Red	Red Diff	3.0	15.0	1.5	2.0	697	16°	1.20	1.11	.95
351-8002	J	Green	Green Diff	3.0	15.0	5.0	7.0	565	16°	1.41	1.30	1.11

LED Lamps

DIMENSIONS (IN.)



DUAL COLOR LED LAMPS

• Reverse voltage max.: 5V • Reverse current: 100µA • White diffused lens

Red/Green

For quantities greater than listed, call for quote.

MOUSER STOCK NO.	Fig.	Forward Voltage				Luminous Intensity				Peak Wavelength Red/Green	Viewing Angle	Price Each		
		Red		Green		Red		Green				1	100	500
		Typ.	Max.	Typ.	Max.	Min.	Typ.	Min.	Typ.					
351-5603	A	2.2	2.8	1.9	2.8	2.0	5.0	1.5	2.5	695/570	90°	.69	.56	.52
351-5403	B	1.6	2.8	1.9	2.8	60	100	25	50	660/570	70°	.72	.59	.55

Orange/Green

For quantities greater than listed, call for quote.

MOUSER STOCK NO.	Fig.	Forward Voltage				Luminous Intensity				Peak Wavelength Org./Green	Viewing Angle	Price Each		
		Orange		Green		Orange		Green				1	100	500
		Typ.	Max.	Typ.	Max.	Min.	Typ.	Min.	Typ.					
351-5602	A	2.0	2.8	2.1	2.8	2.0	5.0	1.5	2.5	635/570	---	.65	.52	.48
351-5401	B	2.0	2.8	2.2	2.8	10.0	18.0	8.0	15.0	635/570	40°	.65	.52	.48

T-1 MINIATURE SIZE (3mm) DUAL COLORED LAMPS

• Reverse voltage max.: 5V • Reverse current: 100µA • White diffused lens

Red/Green

For quantities greater than listed, call for quote.

MOUSER STOCK NO.	Fig.	Forward Voltage				Luminous Intensity				Peak Wavelength Red/Green	Viewing Angle	Price Each		
		Red		Green		Red		Green				1	100	500
		Typ.	Max.	Typ.	Max.	Min.	Typ.	Min.	Typ.					
351-3301	C	2.2	2.8	2.2	2.8	1.5	2.5	5.0	10.0	695/570	40°	.85	.65	.55
351-5201	C	1.8	2.8	1.9	2.8	3.0	6.0	4.0	8.4	695/574	40°	.69	.56	.52

Orange/Green

For quantities greater than listed, call for quote.

MOUSER STOCK NO.	Fig.	Forward Voltage				Luminous Intensity				Peak Wavelength Org./Green	Viewing Angle	Price Each		
		Orange		Green		Orange		Green				1	100	500
		Typ.	Max.	Typ.	Max.	Min.	Typ.	Min.	Typ.					
351-3302	C	2.0	2.8	2.2	2.8	4.0	8.0	3.0	6.0	635/570	40°	.89	.68	.58
351-5202	D	1.8	2.8	1.9	2.8	6.0	12.0	3.0	9.0	635/570	40°	.63	.50	.46

SURFACE MOUNT LAMPS

◆ Surface Mount Device

MOUSER STOCK NO.	Fig.	Color		Forward Voltage		Luminous Intensity		Peak Wavelength p (nm)	Price Each		
		LED	Lens	Typ.	Max.	Min.	Typ.		1	100	500
◆ 351-150R	E	Red	Red Diff.	2.2	2.6	1.0	2.4	700	.56	.47	.43
◆ 351-150Y	E	Yellow	Yellow Diff.	2.1	2.6	5.0	12.0	589	.56	.47	.43
◆ 351-1501	F	Red	Water Clear	1.8	2.8	3.5	9.0	660	.35	.30	.24
◆ 351-1502	F	Red	Water Clear	1.8	2.5	5.5	20.0	660	.39	.33	.27
◆ 351-1503	F	Green	Water Clear	2.2	2.8	4.0	16.0	570	.35	.30	.24
◆ 351-1504	F	Yellow	Water Clear	2.1	2.8	4.0	10.0	590	.35	.30	.24
◆ 351-1505	F	Orange	Water Clear	2.0	2.8	3.0	8.0	635	.35	.30	.24

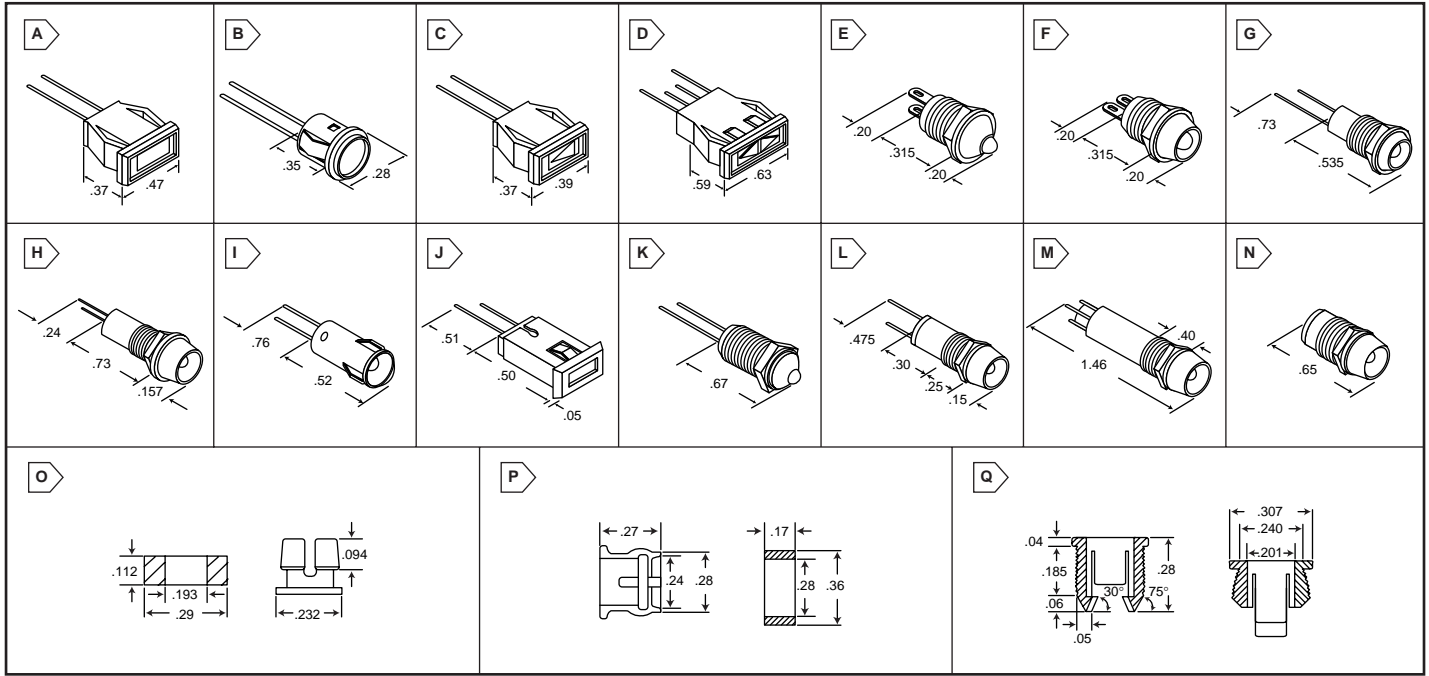
SPECIAL SHAPE LED LAMPS

For quantities greater than listed, call for quote.

MOUSER STOCK NO.	Fig.	Color		Forward Voltage @ I _F = 20mA		Luminous Intensity @ 10mA(mcd)		Peak Wavelength	Price Each		
		LED	Lens	Typ.	Max.	Min.	Typ.		1	100	500
Pin Point .08" Diameter (2mm)											
351-2103	G	Green	Green Diff	2.2	2.8	1.8	4.0	570	.32	.25	.22
Rectangular .04" x .2" (1mm x 5mm)											
351-6401	H	Red	Red Diff	2.2	2.8	0.3	0.5	655	.29	.22	.20
351-6403	H	Green	Green Diff	2.2	2.8	1.0	2.5	570	.32	.25	.22
351-6404	H	Yellow	Yellow Diff	2.1	2.8	1.5	2.5	590	.34	.27	.24
Rectangular .08" x .59" (2mm x 15mm)											
351-6504	I	Yellow	Yellow Diff	2.1	2.8	0.8	2.0	590	.98	.75	.63
Rectangular .08" x .2" (2mm x 5mm)											
351-6201	J	Red	Red Diff	2.1	2.8	0.2	0.5	695	.29	.22	.20
351-6203	J	Green	Green Diff	2.0	2.8	0.5	2.0	570	.43	.28	.25
351-6204	J	Yellow	Yellow Diff	2.0	2.8	0.5	1.7	590	.45	.30	.27
351-9402	K	Red	Red Diff	2.1	2.8	0.5	1.0	695	.29	.22	.20
351-9404	K	Yellow	Yellow Diff	2.0	2.8	1.0	2.5	590	.34	.27	.24
Square .2" x .2" (5mm x 5mm)											
351-6801	L	Red	Red Diff	2.1	2.8	0.3	0.8	655	.30	.23	.21
351-6803	L	Green	Green Diff	2.1	2.8	2.5	4.5	570	.43	.28	.26
351-9540	L	Red	Red Clear	1.6	2.0	0.15	0.42	655	.38	.27	.24
Triangular .19" (4.8mm)											
35BL515	M	Red	Red Diff	1.7	2.0	0.3	0.45	655	.34	.26	.24
Cylindrical .2" (5mm)											
351-5042	N	Red	Red Diff	2.1	2.8	1.8	3.0	630	.32	.25	.22
351-5043	N	Green	Green Diff	2.1	2.8	1.0	2.0	565	.34	.27	.24
351-5044	N	Yellow	Yellow Diff	2.0	2.8	1.8	3.0	585	.38	.30	.27

LED Indicators

DIMENSIONS (IN.)



SNAP-IN LED INDICATORS

Features: • Diffused lenses • Black plastic housing

Rectangular

MOUSER STOCK NO.	Fig.	Color	Mtg. Hole (In.)	Forward Voltage (V)	Price Each			
					1	10	100	500
351-MP072-R	A	Red	.46 x .21	2.1	2.69	2.24	2.04	Call For Quote
351-MP072-G	A	Green	.46 x .21	2.1	2.82	2.35	2.13	Call For Quote
351-MP072-Y	A	Yellow	.46 x .21	2.1	2.82	2.35	2.13	Call For Quote

Round

MOUSER STOCK NO.	Fig.	Color	Mtg. Hole (In.)	Forward Voltage (V)	Price Each			
					1	10	100	500
351-MP075-R	B	Red	.31	2.1	2.18	1.81	1.65	Call For Quote
351-MP075-G	B	Green	.31	2.1	2.59	2.16	1.96	Call For Quote
351-MP075-Y	B	Yellow	.31	2.1	2.59	2.16	1.96	Call For Quote

Directional

MOUSER STOCK NO.	Fig.	Color	Mtg. Hole (In.)	Forward Voltage (V)	Price Each			
					1	10	100	500
351-MP078-R	C	Red	.46 x .21	2.1	2.02	1.68	1.53	Call

Bi-Directional

MOUSER STOCK NO.	Fig.	Color	Mtg. Hole (In.)	Forward Voltage (V)	Price Each			
					1	10	100	500
351-MP081-R	D	Red	.61 x .22	2.1	3.90	3.25	2.96	Call For Quote
351-MP081-G	D	Green	.61 x .22	2.1	4.42	3.69	3.35	Call For Quote
351-MP081-Y	D	Yellow	.61 x .22	2.1	4.42	3.69	3.35	Call For Quote

HIGH RELIABILITY LED INDICATORS

• Red LED indicators

MOUSER STOCK NO.	Fig.	Description	Mtg. Hole (In.)	Forw. Volt	Max. I _F (mA)	Max. V _R	Price Each			
							1	100	500	1000
35MP050	E	Black Plastic	.37	2.1	30	4	3.32	2.77	2.52	Call For Quote
35MP051	F	Black Plastic	.37	2.1	30	4	3.32	2.77	2.52	
35MP054	E	Metal Case	.37	2.1	30	4	4.18	3.49	3.17	
35MP055	F	Metal Case	.37	2.1	30	4	4.18	3.49	3.17	
35MP062	G	Black Plastic	.30	1.67	30	4	2.39	1.99	1.81	
35MP070	H	Metal Case	.28	1.67	30	4	4.10	3.41	3.10	
35MP058	I	Red Plastic	.24	1.67	5	4	2.11	1.76	1.60	
35MP059	J	Black Plastic	.26 x .18	2.1	30	4	2.51	2.09	1.90	

STANDARD LED INDICATORS

T-1 (3mm) LED Indicator Assembly

MOUSER STOCK NO.	Fig.	Color	Lens	Mtg. Hole (In.)	Forward Voltage	Price Each			
						1	10	100	500
35CA001	K	Red	Diffused	.23	2.0V	.88	.66	.61	Call

STANDARD LED INDICATORS

T-1 3/4 (5mm) LED Indicator Assembly

MOUSER STOCK NO.	Fig.	Color	Lens	Mtg. Hole (In.)	Forward Voltage	Price Each				
						1	10	100	500	
With Chrome Bezel										
35CA004	L	Red	Water Clr	.31	2.0V	1.19	.90	.81	Call For Quote	
35CA005	L	Green	Water Clr	.31	2.0V	1.19	.90	.81		
35CA006	L	Yellow	Water Clr	.31	2.0V	1.19	.90	.81		
35CA007	L	Red	Red Diff	.31	2.0V	1.19	.90	.81		
35CA008	L	Green	Green Diff	.31	2.0V	1.19	.90	.81		
35CA009	L	Yellow	Yellow Diff	.31	2.0V	1.19	.90	.81		
With Gold Bezel										
351-1500GRC	L	Red	Water Clr	.31	2.0V	1.29	1.08	.98		Call For Quote
351-1501GGC	L	Green	Water Clr	.31	2.0V	1.39	1.17	1.06		
351-1502GYC	L	Yellow	Water Clr	.31	2.0V	1.44	1.19	1.09		
351-1510GRD	L	Red	Red Diff	.31	2.0V	1.19	.91	.83		
351-1512GYD	L	Yellow	Yellow Diff	.31	2.0V	1.31	.99	.82		

T-1 3/4 (5mm) LED Indicator Assembly

MOUSER STOCK NO.	Fig.	Color	Lens	Mtg. Hole (In.)	Forward Voltage	Price Each			
						1	10	100	500
35CA002	M	Red	Diffused	.30	6.0V	1.36	1.04	.95	Call
35CA003	M	Red	Diffused	.30	12.0V	1.36	1.04	.95	

CHASSIS MOUNT T-1 3/4 LED BEZEL

MOUSER STOCK NO.	Fig.	Bezel Color	Mtg. Hole (In.)	Description	Price Each			
					1	10	100	500
351-1000	N	Black	5/16	For mounting T-1 3/4 size LEDs	.90	.70	.63	Call
351-1001	N	Chrome	5/16	T-1 3/4 size LEDs	1.13	.87	.79	

Gold Bezel (Base and Spring Not Included)

MOUSER STOCK NO.	Fig.	Description	Price Each				
			1	100	500	1000	2000
351-1100	N	Gold bezel w/.31" mounting hole	.65	.46	.41	.38	Call

LED PANEL MOUNTING CLIPS

MOUSER STOCK NO.	Fig.	Color	Size	Description	Price Each			
					1	100	500	1000
352-0001	O	Black	T-1	Two piece	.15	.10	.09	Call
351-0002	P	Black	T-1 3/4	Two piece	.15	.10	.09	For Quote
351-0003	Q	Black	T-1 3/4	One piece	.13	.07	.06	Call

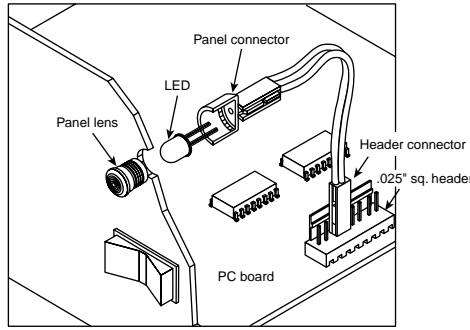


PRE-WIRED SOLDERLESS LED INTERCONNECTIONS

This modular assembly is designed for use in the electrical connection of panel mounted LEDs to printed circuit boards. This off-the-shelf, plug in system eliminates many of the problems typical of devices and assemblies currently in use. It is designed to make quick and easy plug-in connections between panel mounted LEDs and the printed circuit boards. The modular concept of panel and header along with different wire lengths offer a cost reducing, off-the-shelf solution to cabling problems. The LEDs, and Panel Lens must be ordered separately. Other connector types available upon request.

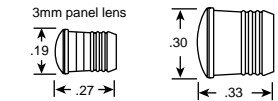
For quantities greater than listed, call for quote.

MOUSER STOCK NO.	Length (In.)	Price Each		
		1	10	100
3mm Bi-Lead LED / .025" Header Post				
593-CNXBE2104	4	1.85	1.69	1.54
593-CNXBE2108	8	1.85	1.69	1.54
593-CNXBE2112	12	1.85	1.69	1.54
593-CNXBE2118	18	2.17	1.99	1.81
593-CNXBE2124	24	2.36	2.17	1.97
5mm Bi-Lead LED / .025" Header Post				
593-CNXCE2104	4	1.85	1.69	1.54
593-CNXCE2108	8	1.85	1.69	1.54
593-CNXCE2112	12	1.85	1.69	1.54
593-CNXCE2118	18	2.17	1.99	1.81
593-CNXCE2124	24	2.36	2.17	1.97



LOW PROFILE PANEL LENSES

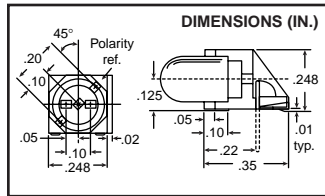
To be used with Pre-Wired Solderless LED Interconnections. Lenses utilize fresnel rings to increase apparent brightness and viewing angle up to 180 degrees.



For quantities greater than listed, call for quote.

MOUSER STOCK NO.	Lens Color	VCC Part No.	Price Each		
			1	10	100
3mm Panel Lenses					
593-1700R	Red	SMC170RTP	.23	.21	.20
593-1700G	Green	SMC170GTP	.23	.21	.20
593-1700Y	Yellow	SMC170YTP	.23	.21	.20
593-1700C	Clear	SMC170CTP	.23	.21	.20
5mm Panel Lenses					
593-3210R	Red	CMC321RTP	.25	.23	.22
593-3210G	Green	CMC321GTP	.25	.23	.22
593-3210Y	Yellow	CMC321YTP	.25	.23	.22
593-3210C	Clear	CMC321CTP	.25	.23	.22

PCB MOUNTS FOR BI AND TRI-LEAD LEDs



Allows the right angle mounting of 5mm LEDs used as diagnostic and logic indicator lights of PC boards. Permits the right angle mounting of the bi-lead as well as both configurations of the tri-lead LED.

For quantities greater than listed, call for quote.

MOUSER STOCK NO.	Price Each		
	1	10	100
593-PCH175	.09	.08	.076

P-C LITE CIRCUIT BOARD SOCKETS FOR LEDs

Specifications:

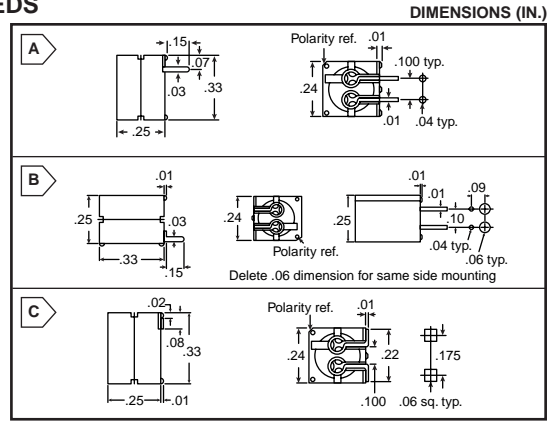
- Material: Housing-nylon, UL 94V-0 (black)
- Unique contact design permits automatic adjustment to the various sizes and shapes of the LED leads. Accommodates IR emitters, phototransistors, and incandescent bi-pin lamps.
- For use with 3mm or 5mm LEDs
- Will accept round or square LED leads

Features:

- Used as circuit board mounting sockets for status, logic and fault detection lights
- Are relampable with no direct soldering to the LED
- Polarity identification is provided on each socket
- PCV series can be mounted same side or opposite side of PCB

No. of Pos.	Price Each		
	1	10	500
1	.55	.51	.47
2	.82	.76	.70
3	1.29	1.19	1.09

MOUSER STOCK NO.	Fig.	No. of Positions
Thru Hole, Horizontal Socket		
593-PCH330	A	1
593-PCH660	A	2
593-PCH990	A	3
Thru Hole, Vertical Socket		
593-PCV220	B	1
593-PCV440	B	2
593-PCV880	B	3
Surface Mount, Hor. Socket		
593-SMD330	C	1
593-SMD660	C	2
593-SMD990	C	3

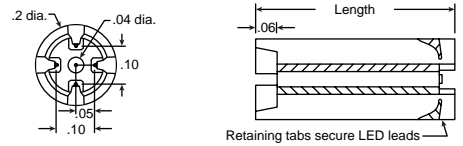


PCB STANDOFFS FOR BI AND TRI-LEAD COMPONENTS

Standoffs are designed for printed circuit board mounting of multi-lead devices i.e. LEDs. They cope with various problems in mounting passive components. They include height control, lateral stability, lead retention, lead shorting, and solder flux removal. Device height control is simplified with mounts ranging in lengths from .12 to 1.0 inches.

.12" to .48" lengths			
Price Each			
1	10	100	500
.08	.07	.067	Call

.50" to 1.0" lengths			
Price Each			
1	10	100	500
.09	.08	.076	Call



MOUSER STOCK NO.	Length (In.)	MOUSER STOCK NO.	Length (In.)	MOUSER STOCK NO.	Length (In.)	MOUSER STOCK NO.	Length (In.)	MOUSER STOCK NO.	Length (In.)
593-STD120	.12	593-STD220	.22	593-STD300	.30	593-STD400	.40	593-STD500	.50
593-STD140	.14	593-STD240	.24	593-STD320	.32	593-STD420	.42	593-STD550	.55
593-STD160	.16	593-STD250	.25	593-STD340	.34	593-STD440	.44	593-STD600	.60
593-STD180	.18	593-STD260	.26	593-STD360	.36	593-STD460	.46	593-STD650	.65
593-STD200	.20	593-STD280	.28	593-STD380	.38	593-STD480	.48	593-STD700	.70
								593-STD750	.75
								593-STD800	.80
								593-STD850	.85
								593-STD900	.90
								593-STD950	.95
								593-STD1.0	1.0

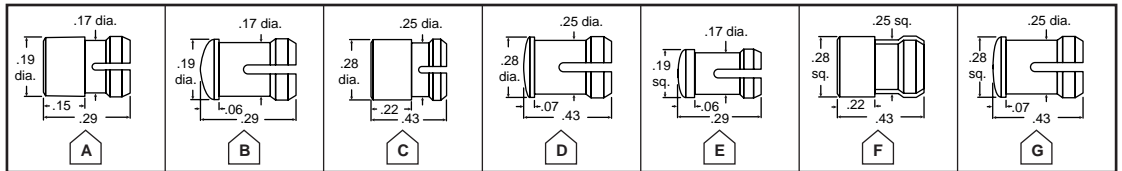
CLIPLITE AND CUBELITE LENS MOUNTS FOR T1 AND T1 3/4 LEDs

Features:

- Provides viewing angles up to 180°C
- High contrast and visibility
- Provides an easy snap-mount method for mounting LEDs through the front panel
- Protects the LED from physical damage from electrostatic discharge (ESD), up to 16KV
- Lens mounts utilize striated lines and fresnel rings to increase apparent brightness up to 125% and viewing angle up to 180 degrees

Specifications:

- Material: Lens-polycarbonate



Round Lens

MOUSER STOCK NO.	Fig.	Lens Colors	VCC Part No.
T1 (3mm) Standard Height			
593-1900R	A	Red	SML190RTP
593-1900G	A	Green	SML190GTP
593-1900Y	A	Yellow	SML190YTP
593-1900C	A	Clear	SML190CTP
T1 (3mm) Low Profile			
593-2000R	B	Red	SMB200RTP
593-2000G	B	Green	SMB200GTP
593-2000Y	B	Yellow	SMB200YTP
593-2000C	B	Clear	SMB200CTP

Round Lens

MOUSER STOCK NO.	Fig.	Lens Colors	VCC Part No.
T1 3/4 (5mm) Standard Height			
593-2800R	C	Red	CLF280RTP
593-2800G	C	Green	CLF280GTP
593-2800Y	C	Yellow	CLF280YTP
593-2800C	C	Clear	CLF280CTP
T1 3/4 (5mm) Low Profile			
593-3000R	D	Red	CLB300RTP
593-3000G	D	Green	CLB300GTP
593-3000Y	D	Yellow	CLB300YTP
593-3000C	D	Clear	CLB300CTP

Square Lens

MOUSER STOCK NO.	Fig.	Lens Colors	VCC Part No.
T1 (3mm) Low Profile			
593-2500R	E	Red	SMQ250RTP
593-2500G	E	Green	SMQ250GTP
593-2500Y	E	Yellow	SMQ250YTP
593-2500C	E	Clear	SMQ250CTP
T1 3/4 (5mm) Standard Height			
593-3600R	F	Red	SQL360RTP
593-3600G	F	Green	SQL360GTP
593-3600Y	F	Yellow	SQL360YTP
593-3600C	F	Clear	SQL360CTP

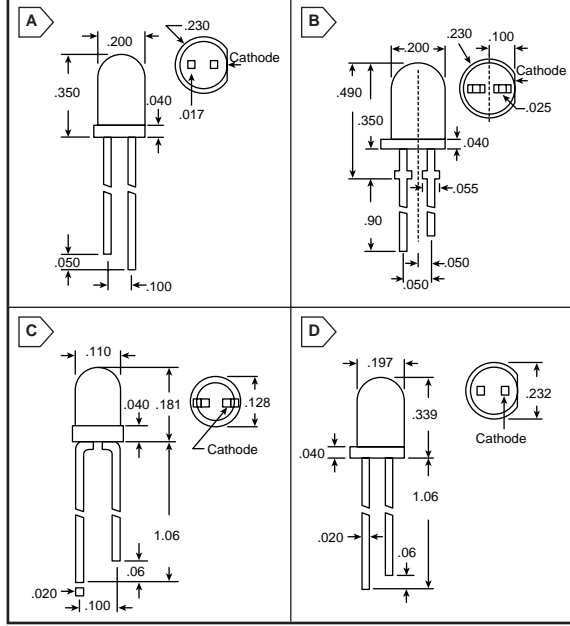
Type	Mgt. Hole (In.)	Price Each			
		1	10	100	500
T1	.171	.23	.21	.20	Call For Quote
T1 3/4	.250	.25	.23	.22	
3600 Series					
T1 3/4	.25	.27	.24	.23	

Square Lens, T1 3/4 (5mm) Low Profile

MOUSER STOCK NO.	Fig.	Lens Colors	VCC Part No.
593-4000R	G	Red	SQB400RTP
593-4000G	G	Green	SQB400GTP
593-4000Y	G	Yellow	SQB400YTP
593-4000C	G	Clear	SQB400CTP

NEW!

DIMENSIONS (IN.)



T-1 3/4 ULTRA BRIGHT LED LAMPS

For quantities greater than listed, call for quote.

MOUSER STOCK NO.	Fig.	Color		Forward Voltage @ I _f = 20mA		Luminous Intensity @ 10mA(mcd)		Peak Wave-Length (nm)	Viewing Angle	Price Each		
		LED	Lens	Typ.	Max.	Min.	Typ.			1	100	500
606-CMD3750	A	Hi-eff red	Red diff	2.2	3.0	80	150	635	24	.46	.40	.39
606-HLMP3750A	B	Hi-eff red	Red tint	2.2	3.0	80	150	635	24	.29	.25	.24
606-HLMP3950A	B	Hi-eff grn	Grn tint	2.2	3.0	80	150	565	24	.31	.27	.26
606-HLMP3850A	B	Yellow	Yellow tint	2.2	3.0	80	150	585	24	.31	.27	.26

SUPER BRIGHT LED LAMPS

T-1 Standard Size

For quantities greater than listed, call for quote.

MOUSER STOCK NO.	Fig.	Color		Forward Voltage @ I _f = 20mA		Luminous Intensity @ 10mA(mcd)		Peak Wave-Length (nm)	Viewing Angle	Price Each		
		LED	Lens	Typ.	Max.	Min.	Typ.			1	100	500
606-CMD31101UR/B	C	Red	Red diff	1.85	2.5	70	90	660	60	.57	.50	.48
606-CMD31101UR/C	C	Red	Red diff	1.85	2.5	90	100	660	60	.78	.68	.65
606-CMD31101UR/D	C	Red	Red diff	1.85	2.5	100	150	660	60	1.56	1.35	1.30
606-CMD31101UR/E	C	Red	Red diff	1.85	2.5	200	250	660	60	3.12	2.70	2.60
606-CMD31101UG	C	Green	Green diff	2.2	2.5	40	50	565	60	.29	.25	.24
606-CMD31104UR/B	C	Red	Water clr	1.85	2.5	250	360	660	30	.57	.50	.48
606-CMD31104UR/C	C	Red	Water clr	1.85	2.5	360	500	660	30	.78	.68	.65
606-CMD31104UR/D	C	Red	Water clr	1.85	2.5	500	700	660	30	1.56	1.35	1.30

T-1 3/4 Standard Size

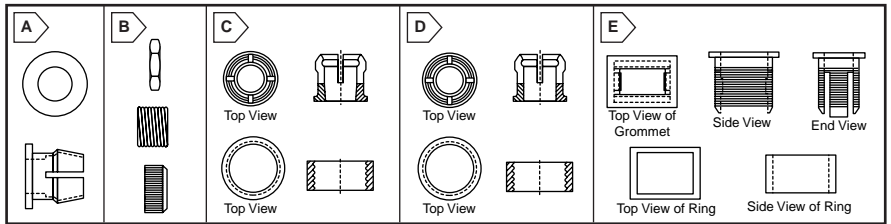
For quantities greater than listed, call for quote.

MOUSER STOCK NO.	Fig.	Color		Forward Voltage @ I _f = 20mA		Luminous Intensity @ 10mA(mcd)		Peak Wave-Length (nm)	Viewing Angle	Price Each		
		LED	Lens	Typ.	Max.	Min.	Typ.			1	100	500
606-CMD41101UR/B	D	Red	Red diff	1.85	2.5	90	100	660	60	.57	.50	.48
606-CMD41101UR/D	D	Red	Red diff	1.85	2.5	200	300	660	60	1.30	1.13	1.08
606-CMD41101UR/E	D	Red	Red diff	1.85	2.5	300	500	660	60	2.08	1.80	1.73
606-CMD41101UR/F	D	Red	Red diff	1.85	2.5	500	700	660	60	3.12	2.70	2.60
606-CMD41101UR/G	D	Red	Red diff	1.85	2.5	700	1000	660	60	4.68	4.06	3.90
606-CMD41101UG	D	Green	Green diff	2.2	2.5	20	60	565	60	.29	.25	.24
606-CMD41104UR/A	D	Red	Water clr	1.85	2.5	300	400	660	30	.57	.50	.48
606-CMD41104UR/B	D	Red	Water clr	1.85	2.5	400	500	660	30	.66	.57	.55
606-CMD41104UR/C	D	Red	Water clr	1.85	2.5	500	1000	660	30	.78	.68	.65

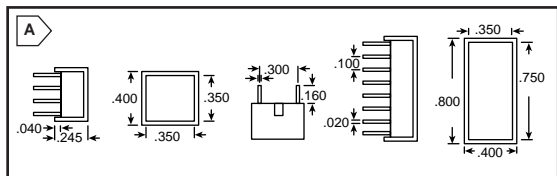
LED PANEL MOUNTING ACCESSORIES

For quantities greater than listed, call for quote.

MOUSER STOCK NO.	Fig.	Description	Color	Price Each		
				1	100	500
606-CMP100	A	T-1 single piece	Black	.13	.10	.09
606-4999-002	B	T-1 3/4, 3 pc. flanged	Silver	1.15	1.00	.96
606-4999-003	B	T-1 3/4, 3 pc. flanged	Black	.91	.79	.76
606-CMP22	C	T-1 3/4, 2 pc. taper side	Black	.13	.10	.09
606-CMP52	D	T-1 3/4, 2 pc. straight side	Black	.13	.10	.09
606-CMP65	E	2 pc. rect. (.245"x.145")	Black	.24	.21	.20



LED LIGHT BARS

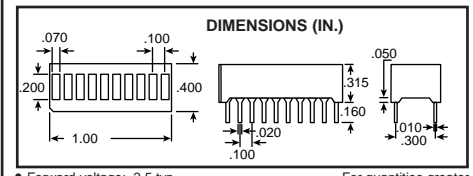


DIMENSIONS (IN.)

For quantities greater than listed, call for quote.

MOUSER STOCK NO.	Fig.	Color		Forward Voltage @ I _f = 20mA		Luminous Intensity @ 10mA(mcd)		Peak Wavelength (nm)	Price Each		
		LED	Lens	Typ.	Max.	Min.	Typ.		1	100	500
606-HLMP2685	A	Hi-eff red	White diff	2.0	2.6	22.0	80.0	630	4.20	3.64	3.50
606-CMD57173	B	Hi-eff red	Red diff	2.0	2.5	4.5	- - -	635	2.18	1.89	1.82

LED BAR GRAPH LED DISPLAYS

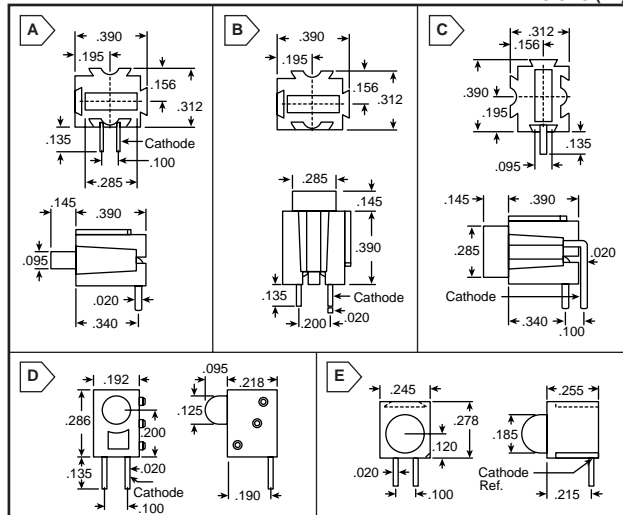


• Forward voltage: 2.5 typ. For quantities greater than listed, call for quote.
• Luminous intensity: 1.8 typ.

MOUSER STOCK NO.	Color		Peak Wavelength (nm)	Price Each		
	LED	Lens		1	100	500
606-CMD57164	H.E. red	White diff	630	4.08	3.64	3.54
606-CMD54164	H.E. grn	Red diff	562	4.49	3.89	

CIRCUIT BOARD INDICATORS

DIMENSIONS (IN.)

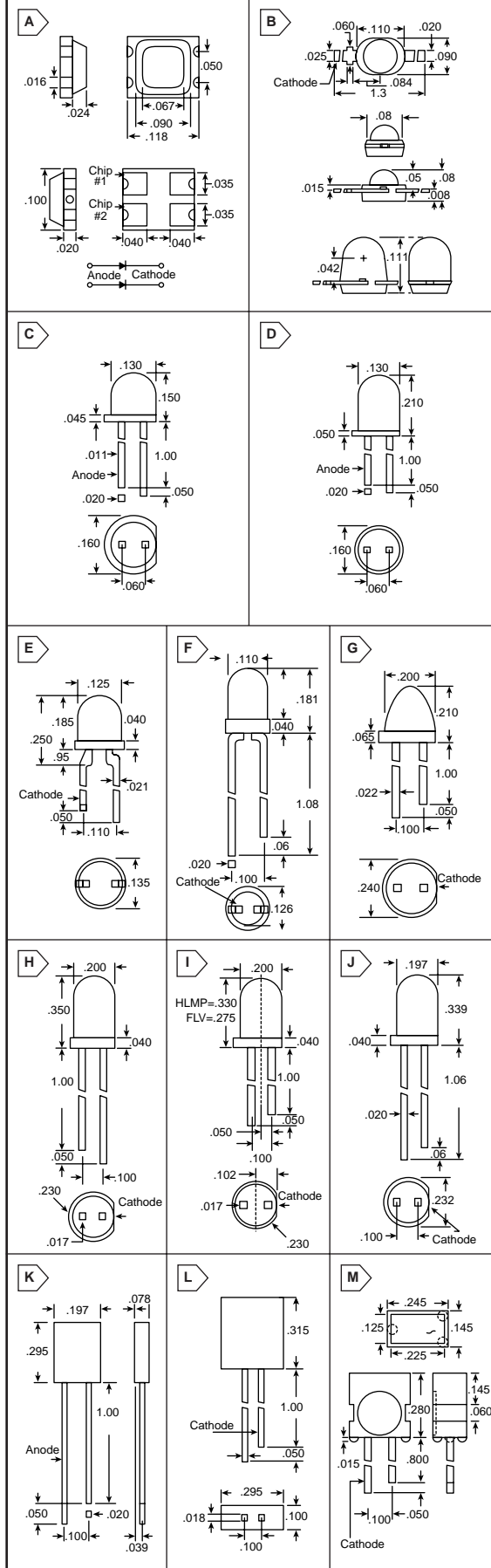


For quantities greater than listed, call for quote.

MOUSER STOCK NO.	Fig.	Color		Forward Voltage @ I _f = 20mA		Luminous Intensity @ 10mA(mcd)		Peak Wave-Length (nm)	Viewing Angle	Price Each		
		LED	Lens	Typ.	Max.	Min.	Typ.			1	100	500
606-CMR01R	A	Hi-eff red	Red diff	2.0	2.5	3.2	12.5	625	110	.64	.55	.53
606-CMR01G	A	Hi-eff grn	Green diff	2.2	2.5	1.3	8.0	565	110	.64	.55	.53
606-CMR01Y	A	Yellow	Yel diff	2.1	2.5	1.3	8.0	590	110	.64	.55	.53
606-CMS01R	B	Hi-eff red	Red diff	2.0	2.5	3.2	12.5	625	110	.64	.55	.53
606-CMS01G	B	Hi-eff grn	Green diff	2.2	2.5	1.3	8.0	565	110	.64	.55	.53
606-CMS01Y	B	Yellow	Yel diff	2.1	2.5	1.3	8.0	590	110	.64	.55	.53
606-CMV01R	C	Hi-eff red	Red diff	2.0	2.5	3.2	12.5	625	110	.64	.55	.53
606-CMV01G	C	Hi-eff grn	Green diff	2.2	2.5	1.3	8.0	565	110	.64	.55	.53
606-CMV01Y	C	Yellow	Yel diff	2.1	2.5	1.3	8.0	590	110	.64	.55	.53
606-CMC01R	D	Hi-eff red	Water clr	2.0	2.5	24.0	60.0	625	30	.66	.57	.55
606-CMC01Y	D	Yellow	Water clr	2.1	2.5	24.0	60.0	590	30	.66	.57	.55
606-CMW01S	D	Hi-eff red	Red diff	2.0	2.5	1.0	2.0	625	120	.66	.57	.55
606-CMW01D	D	Hi-eff red	Red diff	2.0	2.5	3.2	20.0	625	130	.66	.57	.55
606-CMW01H	D	Hi-eff grn	Green diff	2.2	2.5	1.0	2.0	565	120	.66	.57	.55
606-CMW01G	D	Hi-eff grn	Green diff	2.2	2.5	3.2	12.5	565	120	.66	.57	.55
606-CMW01O	D	Hi-eff red	Org diff	2.0	2.5	3.2	20.0	625	120	.66	.57	.55
606-CMW01Z	D	Yellow	Yel diff	2.1	2.5	1.0	2.0	590	120	.66	.57	.55
606-CMF01Y	D	Yellow	Yellow diff	2.1	2.5	3.2	12.5	590	120	.66	.57	.55
606-CMF01R	E	Hi-eff red	Red diff	2.0	2.5	3.2	8.0	625	120	.72	.62	.60
606-CMI01S	E	Red	Red diff	1.7	2.1	1.25	3.2	660	120	.67	.58	.56
606-CMI01R	E	Hi-eff red	Red diff	2.0	2.5	3.2	8.0	625	120	.67	.58	.56
606-CMI01G	E	Hi-eff grn	Green diff	2.2	2.5	3.2	8.0	565	120	.67	.58	.56
606-CMI01Y	E	Yellow	Yel diff	2.1	2.5	3.2	8.0	590	120	.67	.58	.56

NEW!

DIMENSIONS (IN.)



SURFACE MOUNT DUAL CHIP LED's (1210 Size) For quantities greater than listed, call for quote.

MOUSER STOCK NO.	Fig.	Color		Forward Voltage @ IF = 20mA		Luminous Intensity @ 10mA(mcd)		Peak Wave-Length (nm)	Viewing Angle	Price Each		
		LED	Lens	Typ.	Max.	Min.	Typ.			1	100	500
606-CMD11304G	A	Hi-eff grn	Clear	2.0	2.6	11.0	22.0	565	100	.83	.72	.69
606-CMD11304A	A	Amber	Clear	2.1	2.8	5.0	14.0	610	100	.83	.72	.69

T-3/4 SUBMINIATURE LED LAMPS For quantities greater than listed, call for quote.

MOUSER STOCK NO.	Fig.	Color		Forward Voltage @ IF = 20mA		Luminous Intensity @ 10mA(mcd)		Peak Wave-Length (nm)	Viewing Angle	Price Each		
		LED	Lens	Typ.	Max.	Min.	Typ.			1	100	500
606-CMD50B	B	Red	Clear	1.65	2.0	0.5	3.0	660	80	.32	.28	.27
606-CMD54B	B	Red	Red Clear	1.65	2.0	0.4	3.5	660	80	.30	.26	.25
606-CMD64B	B	Green	Grn Clear	2.2	3.0	1.0	8.0	535	80	.38	.33	.32

STANDARD LED LAMPS

T-1 Standard Size For quantities greater than listed, call for quote.

MOUSER STOCK NO.	Fig.	Color		Forward Voltage @ IF = 20mA		Luminous Intensity @ 10mA(mcd)		Peak Wave-Length (nm)	Viewing Angle	Price Each		
		LED	Lens	Typ.	Max.	Min.	Typ.			1	100	500
606-CMD5077C	C	Red	Red diff	1.6	2.0	0.3	1.75	660	110	.34	.29	.28
606-CMD5777C	C	Hi-eff red	Red diff	2.0	3.0	1.0	7.0	635	180	.40	.35	.33
606-CMD5074C	D	Red	Red clear	1.6	2.0	.7	2.5	660	70	.27	.24	.23
606-CMD5075C	D	Red	Red diff	1.6	2.0	.6	1.5	660	90	.30	.26	.25
606-CMD5774C	D	Hi-eff red	Red diff	2.0	3.0	1.5	9.0	635	90	.38	.33	.32
606-CMD5374C	D	Yellow	Yellow diff	2.1	3.0	1.5	9.0	585	90	.40	.35	.33
606-CMD5474C	D	Hi-eff grn	Green diff	2.2	3.0	1.2	9.0	565	90	.38	.33	.32
606-CMD5764A	E	Hi-eff red	Red diff	2.0	3.0	1.0	2.0	635	90	.27	.24	.23
606-HLMP1300	E	Hi-eff red	Red diff	2.0	3.0	2.0	10.0	635	90	.37	.32	.31
606-HLMP1340	E	Hi-eff red	Red diff	2.2	3.0	24.0	60.0	635	45	.43	.37	.36
606-CMD54643	E	Hi-eff grn	Green diff	2.2	3.0	2.0	5.0	565	90	.30	.26	.25

T-1 Standard Size Resistored For quantities greater than listed, call for quote.

606-CMD31121G	F	Hi-eff grn	Green diff	5.0	---	8.0	16.0	565	60	.62	.54	.52
606-CMD31121Y	F	Yellow	Yellow diff	5.0	---	8.0	16.0	590	60	.62	.54	.52
606-CMD31131HR	F	Hi-eff red	Red diff	12.0	---	12.5	25.0	625	60	.62	.54	.52
606-CMD31131Y	F	Yellow	Yellow diff	1X2.0	---	8.0	16.0	590	60	.62	.54	.52

T-1 3/4 Standard Size For quantities greater than listed, call for quote.

606-CMD50154	G	Red	Red diff	1.6	2.0	0.4	1.5	660	50	.58	.46	.44
606-CMD54154	G	Hi-eff grn	Green diff	2.2	3.0	2.0	12.0	565	50	.58	.50	.48
606-CMD5055	H	Red	Red diff	2.2	---	.1	---	660	150	.62	.54	.52
606-CMD5053	H	Red	Red diff	2.2	---	.5	---	660	80	.24	.21	.20
606-CMD5453	H	Hi-eff grn	Green diff	2.2	3.0	3.0	20.0	562	75	.27	.24	.23
606-CMD64531	H	Hi-eff grn	Green diff	2.2	3.0	7.0	20.0	562	75	.46	.40	.39
606-HLMP3300	H	Hi-eff red	Red diff	2.2	3.0	2.0	3.5	635	65	.38	.33	.32
606-HLMP3301	H	Hi-eff red	Red diff	2.2	3.0	4.0	7.0	635	65	.56	.48	.47
606-CMD5753	H	Hi-eff red	Red diff	2.0	3.0	3.0	10.0	635	65	.26	.22	.21
606-CMD5153	H	Hi-eff red	Amb diff	2.0	3.0	3.0	15.0	635	65	.43	.37	.36
606-CMD5353	H	Yellow	Yellow diff	2.1	3.0	2.5	15.0	585	65	.27	.24	.23
606-HLMP4700	H	Hi-eff red	Red diff	1.8	2.2	1.2	2.0	635	35	.37	.32	.31
606-HLMP4719	H	Yellow	Yellow diff	1.9	2.7	1.2	2.0	585	35	.37	.32	.31
606-CMD5054A-1	H	Red	Red diff	2.2	---	1.0	---	660	24	.27	.24	.23
606-CMD5354A	H	Yellow	Yellow diff	2.1	3.0	10.0	25.0	585	24	.29	.25	.24
606-CMD5754A	H	Hi-eff red	Red diff	2.0	3.0	15.0	25.0	635	24	.27	.24	.23
606-HLMP3315	H	Hi-eff red	Red clear	2.2	3.0	12.0	18.0	635	35	.38	.33	.32
606-FLV110	I	Red	Red diff	1.6	2.0	.8	3.0	665	70	.32	.28	.27
606-CMD5752	H	Hi-eff red	Red clear	2.0	3.0	17.0	100.0	635	28	.35	.31	.29
606-CMD5152	H	Hi-eff red	Amb clear	2.0	3.0	17.0	100.0	635	28	.48	.42	.40
606-CMD5352	H	Yellow	Yel clear	2.1	3.0	10.0	90.0	585	28	.37	.32	.31
606-CMD5452	H	Hi-eff grn	Grn clear	2.2	3.0	12.0	25.0	562	35	.37	.32	.31

T-1 3/4 Standard Size Resistored For quantities greater than listed, call for quote.

606-CMD41121HR	J	Hi-eff red	Red diff	5.0	---	20.0	40.0	625	60	.57	.50	.48
606-CMD41121G	J	Hi-eff grn	Green diff	5.0	---	5.0	16.0	565	60	.57	.50	.48
606-CMD41121Y	J	Yellow	Yellow diff	5.0	---	5.0	16.0	590	60	.57	.50	.48
606-CMD41131HR	J	Hi-eff red	Red diff	12.0	---	20.0	40.0	625	60	.57	.50	.48
606-CMD41131G	J	Hi-eff grn	Green diff	12.0	---	5.0	16.0	565	60	.57	.50	.48
606-CMD41131Y	J	Yellow	Yellow diff	12.0	---	5.0	16.0	590	60	.57	.50	.48

RECTANGULAR LED LAMPS

For quantities greater than listed, call for quote.

MOUSER STOCK NO.	Fig.	Color		Forward Voltage @ IF = 20mA		Luminous Intensity @ 10mA(mcd)		Peak Wave-Length (nm)	Viewing Angle	Price Each		
		LED	Lens	Typ.	Max.	Min.	Typ.			1	100	500
606-CMD57123	K	Hi-eff red	Red diff	2.0	4.0	1.0	4.0	635	100	.26	.22	.21
606-CMD54123	H	Hi-eff grn	Green diff	2.2	4.0	1.0	4.0	562	100	.29	.25	.24
606-HLMP0300	L	Hi-eff red	Red diff	2.1	3.0	1.0	2.5	635	100	.46	.40	.39
606-HLMP0301	L	Hi-eff red	Red diff	2.1	3.0	2.5	5.0	635	100	.78	.68	.65
606-HLMP0503	L	Hi-eff grn	Green diff	2.3	3.0	1.5	3.0	565	100	.53	.46	.44
606-CMD57124A	M	Hi-eff red	Red diff	2.0	3.0	1.0	6.0	635	100	.45	.39	.37
606-CMD54124A	M	Hi-eff grn	Green diff	2.2	3.0	1.0	6.0	562	100	.43	.37	.36
606-CMD53124A	M	Yellow	Yel diff	2.0	3.0	1.0	6.0	585	100	.43	.37	.36

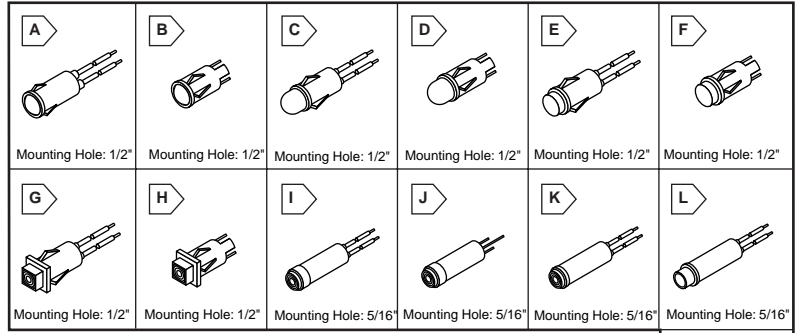
NEW!

NON-RELAMPABLE INDICATORS

Neon Indicators

For quantities greater than listed, call for quote.

MOUSER STOCK NO.	Fig.	Color	Voltage (VAC)	Termination	Rated Life (hrs.)	Price Each		
						1	100	500
607-1030D1	A	Red	105-125	Black wire	25,000	2.93	1.67	1.35
607-1030D3	A	Amber	105-125	Black wire	25,000	2.93	1.67	1.35
607-1030D4	A	White	105-125	Black wire	25,000	2.93	1.67	1.35
607-1032D5	A	Green	105-125	Black wire	25,000	4.38	2.51	2.02
607-1031D1	A	Red	208-250	Black/Red wire	25,000	2.93	1.67	1.35
607-1030QD1	B	Red	105-125	Quick connect	25,000	3.17	1.82	1.46
607-1030QD3	B	Amber	105-125	Quick connect	25,000	3.17	1.82	1.46
607-1030QD4	B	White	105-125	Quick connect	25,000	3.17	1.82	1.46
607-1032QD5	B	Green	105-125	Quick connect	25,000	4.66	2.66	2.15
607-1050A1	C	Red	105-125	Black wire	25,000	2.93	1.67	1.35
607-1050A2	C	Clear	105-125	Black wire	25,000	2.93	1.67	1.35
607-1050A3	C	Amber	105-125	Black wire	25,000	2.93	1.67	1.35
607-1050A4	C	White	105-125	Black wire	25,000	2.93	1.67	1.35
607-1052A5	C	Green	105-125	Black wire	25,000	4.38	2.51	2.02
607-1051A1	C	Red	208-250	Black/Red wire	25,000	2.93	1.67	1.35
607-1051A3	C	Amber	208-250	Black/Red wire	25,000	2.93	1.67	1.35
607-1053A5	C	Green	208-250	Black/Red wire	25,000	4.38	2.51	2.02
607-1050QA1	D	Red	105-125	Quick connect	25,000	3.17	1.82	1.46
607-1050QA3	D	Amber	105-125	Quick connect	25,000	3.17	1.82	1.46
607-1052QA5	D	Green	105-125	Quick connect	25,000	4.66	2.66	2.15
607-1051QA1	D	Red	208-250	Quick connect	25,000	3.17	1.82	1.46
607-1051QA3	D	Amber	208-250	Quick connect	25,000	3.17	1.82	1.46
607-1050C1	E	Red	105-125	Black wire	25,000	2.93	1.67	1.35
607-1050C2	E	Clear	105-125	Black wire	25,000	2.93	1.67	1.35
607-1050C3	E	Amber	105-125	Black wire	25,000	2.93	1.67	1.35
607-1050C4	E	White	105-125	Black wire	25,000	2.93	1.67	1.35
607-1052C5	E	Green	105-125	Black wire	25,000	4.38	2.51	2.02
607-1051C1	E	Red	208-250	Black/Red wire	25,000	2.93	1.67	1.35
607-1051C3	E	Amber	208-250	Black/Red wire	25,000	2.93	1.67	1.35
607-1053C5	E	Green	208-250	Black/Red wire	25,000	4.38	2.51	2.02
607-1050QC1	F	Red	105-125	Quick connect	25,000	3.17	1.82	1.46
607-1050QC2	F	Clear	105-125	Quick connect	25,000	3.17	1.82	1.46
607-1050QC3	F	Amber	105-125	Quick connect	25,000	3.17	1.82	1.46
607-1050QC4	F	White	105-125	Quick connect	25,000	3.17	1.82	1.46
607-1052QC5	F	Green	105-125	Quick connect	25,000	4.66	2.66	2.15
607-1051QC1	F	Red	208-250	Quick connect	25,000	3.17	1.82	1.46
607-1051QC3	F	Amber	208-250	Quick connect	25,000	3.17	1.82	1.46
607-1050N1	G	Red	105-125	Black wire	25,000	3.17	1.82	1.46
607-1050N3	G	Amber	105-125	Black wire	25,000	3.17	1.82	1.46
607-1052N5	G	Green	105-125	Black wire	25,000	4.66	2.66	2.15
607-1050QN1	H	Red	105-125	Quick connect	25,000	3.42	1.95	1.58
607-1050QN3	H	Amber	105-125	Quick connect	25,000	3.42	1.95	1.58
607-1052QN5	H	Green	105-125	Quick connect	25,000	4.93	2.81	2.26
607-2110A1	I	Red	105-125	Black wire	25,000	2.90	1.65	1.33
607-2110A2	I	Clear	105-125	Black wire	25,000	2.90	1.65	1.33
607-2110A3	I	Amber	105-125	Black wire	25,000	2.90	1.65	1.33
607-2110A4	I	White	105-125	Black wire	25,000	2.90	1.65	1.33
607-2112A5	J	Green	105-125	Black wire	25,000	4.35	2.49	2.00
607-2110QA1	J	Red	105-125	Quick connect	25,000	3.15	1.80	1.45
607-2112QA5	K	Green	105-125	Quick connect	25,000	4.62	2.64	2.13
607-2120A1	K	Red	105-125	Black wire	25,000	2.90	1.65	1.33
607-2120A3	K	Amber	105-125	Black wire	25,000	2.90	1.65	1.33



Neon Indicators (Cont.)

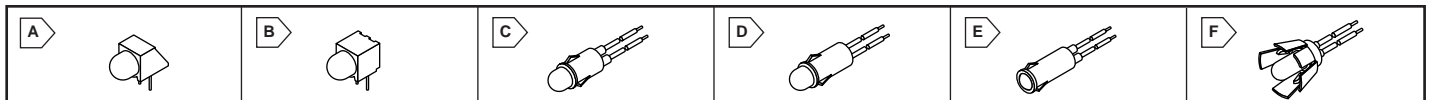
For quantities greater than listed, call for quote.

MOUSER STOCK NO.	Fig.	Color	Voltage (VAC)	Termination	Rated Life (hrs.)	Price Each		
						1	100	500
607-2120A4	K	White	105-125	Black wire	25,000	2.90	1.65	1.33
607-2150A1	L	Red	105-125	Black wire	25,000	3.10	1.77	1.42
607-2150A2	L	Clear	105-125	Black wire	25,000	3.10	1.77	1.42
607-2150A3	L	Amber	105-125	Black wire	25,000	3.10	1.77	1.42
607-2150A4	L	White	105-125	Black wire	25,000	3.10	1.77	1.42
607-2152A5	L	Green	105-125	Black wire	25,000	4.98	2.84	2.29
607-2150QA1	M	Red	105-125	Quick connect	25,000	3.34	1.91	1.54
607-2150QA3	M	Amber	105-125	Quick connect	25,000	3.34	1.91	1.54
607-2150QA4	M	White	105-125	Quick connect	25,000	3.34	1.91	1.54
607-2152QA5	M	Green	105-125	Quick connect	25,000	5.20	2.97	2.39
607-2330C1	N	Red	105-125	Quick connect	25,000	3.55	2.03	1.62
607-2330C3	N	Amber	105-125	Quick connect	25,000	3.55	2.03	1.62
607-2330C4	N	White	105-125	Quick connect	25,000	3.55	2.03	1.62
607-2620K1	O	Red	105-125	Quick connect	25,000	4.19	2.39	1.93
607-2620K3	O	Amber	105-125	Quick connect	25,000	4.19	2.39	1.93
607-2620K4	O	White	105-125	Quick connect	25,000	4.19	2.39	1.93
607-2622QK5	O	Green	105-125	Quick connect	25,000	5.55	3.17	2.55
607-6010M1	P	Red	105-125	Black/Red wire	25,000	6.19	3.53	2.84
607-6010M3	P	Amber	105-125	Black/Red wire	25,000	6.19	3.53	2.84
607-6012M5	P	Green	105-125	Black/Red wire	25,000	7.55	4.31	3.47

Incandescent Indicators

For quantities greater than listed, call for quote.

MOUSER STOCK NO.	Fig.	Color	Voltage	Termination	Rated Life (hrs.)	Price Each		
						1	100	500
607-1090A1-12V	C	Red	12VDC	Yellow wire	10,000	3.76	2.15	1.73
607-1090A3-12V	C	Amber	12VDC	Yellow wire	10,000	3.76	2.15	1.73
607-1090A5-12V	C	Green	12VDC	Yellow wire	10,000	3.76	2.15	1.73
607-1090A1-28V	C	Red	28VDC	Purple wire	7,000	3.76	2.15	1.73
607-1090A3-28V	C	Amber	28VDC	Purple wire	7,000	3.76	2.15	1.73
607-1090A5-28V	C	Green	28VDC	Purple wire	7,000	3.76	2.15	1.73
607-1090C1-12V	E	Red	12VDC	Yellow wire	10,000	3.76	2.15	1.73
607-1090C1-28V	E	Red	28VDC	Purple wire	7,000	3.76	2.15	1.73
607-1090C3-28V	E	Amber	28VDC	Purple wire	7,000	3.76	2.15	1.73
607-1090C5-28V	E	Green	28VDC	Purple wire	7,000	3.76	2.15	1.73
607-1090QC1-28V	F	Red	28VDC	Quick connect	7,000	3.98	2.28	1.83
607-1090QC3-28V	F	Amber	28VDC	Quick connect	7,000	3.98	2.28	1.83
607-1090QC5-28V	F	Green	28VDC	Quick connect	7,000	3.98	2.28	1.83



CIRCUIT BOARD INDICATORS

T-1 3/4 Circuit Board Indicators

For quantities greater than listed, call for quote.

MOUSER STOCK NO.	Fig.	Color	Forward Current (mA)		Lumin. Intensity (mcd) (typ)	Rated Cur. (mA)	Peak Wave-length	Price Each			
			Typ.	Max.				1	100	500	
607-5300H1	A	Red	35	2.0	3.0	30.0	20.0	635	.77	.38	.33
607-5300H5	A	Green	30	2.2	3.0	30.0	20.0	562	.77	.38	.33
607-5300H7	A	Yellow	35	2.1	3.0	25.0	20.0	585	.77	.38	.33
607-5300H1LC	A	Red	7	1.8	2.2	2.0	2.0	635	.99	.50	.44
607-5300H5LC	A	Green	7	1.8	2.2	2.5	2.0	565	.99	.50	.44
607-5302H1-5V	A	Red	15	5.0	7.5	6.0	10.0	635	1.07	.53	.46
607-5302H3-5V	A	Amber	15	5.0	7.5	7.0	10.0	583	1.07	.53	.46
607-5302H5-5V	A	Green	15	5.0	7.5	10.0	12.0	565	1.07	.53	.46
607-5380H1	B	Red	35	2.0	3.0	30.0	20.0	635	.77	.38	.33
607-5380H5	B	Green	20	2.2	2.5	30.0	20.0	555	.77	.38	.33
607-5380H7	B	Yellow	35	2.1	3.0	25.0	20.0	585	.77	.38	.33

Panel Mount LED Indicators

For quantities greater than listed, call for quote.

MOUSER STOCK NO.	Fig.	Color	Forward Current (mA)		Lumin. Intensity (mcd) (typ)	Rated Cur. (mA)	Peak Wave-length	Price Each			
			Typ.	Max.				1	100	500	
607-5100H1	C	Red	35	2.0	3.0	30.0	20.0	635	2.06	1.02	.90
607-5100H5	C	Green	30	2.2	3.0	30.0	20.0	562	2.06	1.02	.90
607-5100H7	C	Yellow	35	2.1	3.0	25.0	20.0	585	2.06	1.02	.90
607-5100H1/5	C	Rd/Grn	10	2.2	2.8	6.0	20.0	650/565	3.20	1.59	1.39
607-5110F1	D	Red	30	2.0	3.0	6.0	10.0	635	2.14	1.07	.93
607-5110F5	D	Green	30	2.2	3.0	12.0	20.0	562	2.14	1.07	.93
607-3990A1	E	Red	30	2.0	3.0	6.0	10.0	635	3.33	1.89	1.52
607-3990A5	E	Green	30	2.2	3.0	12.0	20.0	562	3.33	1.89	1.52
607-5400A1	F	Red	35	2.0	3.0	120.0	20.0	635	3.26	1.86	1.49
607-5400A5	F	Green	35	2.1	2.5	120.0	20.0	555	3.26	1.86	1.49
607-5400A7	F	Yellow	35	2.1	3.0	120.0	20.0	585	3.26	1.86	1.49

LED INDICATORS

For quantities greater than listed, call for quote.

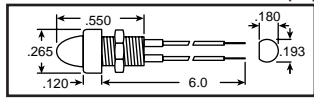
MOUSER STOCK NO.	Fig.	Color	Voltage (VDC)	Termination	Internal Resis. (Ω)	Mount. Hole Sz. (in.)	Price Each		
							1	100	500
607-1091M1-12V	A	Red	12	Red/White wire	390	1/2	4.38	2.49	2.02
607-1091M5-12V	A	Green	12	Red/White wire	390	1/2	4.38	2.49	2.02
607-1091M1-24V	A	Red	24	Red/White wire	1,000	1/2	4.38	2.49	2.02
607-1091M5-24V	A	Green	24	Red/White wire	1,000	1/2	4.38	2.49	2.02
607-1091M7-24V	A	Yellow	24	Red/White wire	1,000	1/2	4.38	2.49	2.02



ASTROLITE LED INDICATORS

Specifications:

- Mounting hole: .193"
- Mounting centers: .334" min.
- Panel thickness: .188"
- Bezel/Shank: chrome plated brass
- Hex nut: nickel plated brass
- Wire leads: 26AWG stranded, 105°C PVC insulation



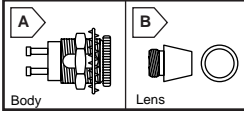
For quantities greater than listed, call for quote.

MOUSER STOCK NO.	Color		Forward Voltage @ I _F = 20mA	Luminous Intensity @ 10mA(mcd)		Peak Wave-Length (nm)	Price Each			
	LED	Lens		Typ.	Max.		1	10	100	
606-6039-004-304R	Hi-eff red	Red diff	1.6	2.0	.4	1.5	630	4.98	4.32	4.15
606-6039-004-304G	Hi-eff grn	Green diff	2.2	3.0	2.0	12.0	565	4.98	4.32	4.15
606-6039-004-304Y	Yellow	Yel diff	2.1	3.0	1.5	8.0	585	4.98	4.32	4.15

GEMLITE SUBMIDGET INDICATORS

Specifications:

- Mounting hole: .313"
- Mounting centers: .469" min.
- Panel thickness: .218" max.
- Lockwasher: nickel plated bronze
- Hex nut: nickel plated brass
- Lens: high temperature lexan
- Lens shank: nickel plated brass
- Housing material: black nickel plated brass



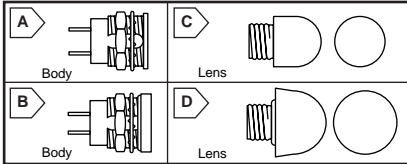
For quantities greater than listed, call for quote.

MOUSER STOCK NO.	Fig.	Description	Price Each		
			1	10	100
606-5160-458	A	T-1 sub-midget flange base indicator, body	9.43	8.17	7.86
606-160A-604R	B	Translucent red lens for 5160-48, lens	1.49	1.29	1.24
606-160A-604G	B	Translucent green lens for 5160-48, lens	1.49	1.29	1.24
606-160A-604Y	B	Translucent yellow lens for 5160-48, lens	1.49	1.29	1.24
606-160A-604W	B	Translucent white lens for 5160-48, lens	1.49	1.29	1.24

MIDGET FLANGE RELAMPABLE INDICATORS

Specifications:

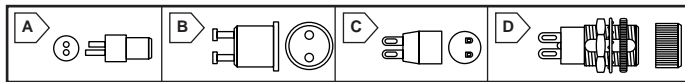
- Mounting hole: .484"
- Mounting centers: .750" min.
- Panel thickness: standard=.265" watertight=.188"
- Terminals: tin plated brass
- Housing material: black anodized alum.
- Hex nut/lockwasher: chrome treated steel
- O-rings (5139 only): neoprene
- Electrical rating: up to 30V, up to 20W
- Lens: high temperature lexan



For quantities greater than listed, call for quote.

MOUSER STOCK NO.	Fig.	Description	Price Each		
			1	10	100
606-5131-038	A	T-1 3/4 midget flange standard indicator	4.27	3.70	3.56
606-5139-038	B	T-1 3/4 midget flange watertight indicator	5.82	5.05	4.85
606-131A-303R	C	Transparent red lens for 5131-038	1.59	1.38	1.33
606-131A-303A	C	Transparent amber lens for 5131-038	1.59	1.38	1.33
606-131A-303G	C	Transparent green lens for 5131-038	1.59	1.38	1.33
606-131A-304R	C	Translucent red lens for 5131-038	1.59	1.38	1.33
606-131A-304G	C	Translucent green lens for 5131-038	1.59	1.38	1.33
606-131A-304Y	C	Translucent yellow lens for 5131-038	1.59	1.38	1.33
606-139A-404G	D	Translucent green lens for 5139-038	2.20	1.91	1.84
606-139A-404R	D	Translucent red lens for 5139-038	2.20	1.91	1.84
606-139A-404Y	D	Translucent yellow lens for 5139-038	2.20	1.91	1.84

RELAMPABLE INDICATOR HOLDERS



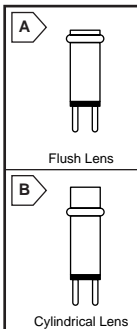
For quantities greater than listed, call for quote.

MOUSER STOCK NO.	Fig.	Description	Price Each		
			1	10	100
606-CM21-1	A	T-3/4 & T-1 bi-pin base lamp socket	4.86	4.21	4.05
606-CM21-2	B	T-1 3/4 bi-pin base lamp socket	5.44	4.71	4.53
606-CM21-3	C	Connector for CML series	1.12	.97	.93
606-CML10202-1	D	Turret terminals holder for CML series	8.38	7.26	6.98
606-CML10203-1	D	Solder cup terminals for CML series	7.73	6.70	6.44
606-CML10204-1	D	Solder lug terminals for CML series	7.47	6.47	6.22

CML SERIES NON-RELAMPABLE INDICATOR LAMPS

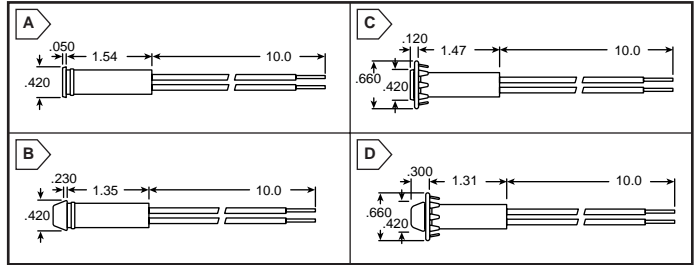
- Size: T-1 3/4 28.0V .04A
 - Mounting hole: .375" Dia.
 - Panel thickness: .219" max.
- For quantities greater than listed, call for quote.

MOUSER STOCK NO.	Fig.	Description	Price Each		
			1	10	100
606-CML53029-1	A	Red cartridge indicator	3.78	3.27	3.15
606-CML53029-3	A	Amber cartridge indicator	3.78	3.27	3.15
606-CML53029-2	A	Green cartridge indicator	3.78	3.27	3.15
606-CML53029-7	A	Clear cartridge indicator	3.78	3.27	3.15
606-CML63029-1	B	Red cartridge indicator	3.78	3.27	3.15
606-CML63029-3	B	Amber cartridge indicator	3.78	3.27	3.15
606-CML63029-2	B	Green cartridge indicator	3.78	3.27	3.15
606-CML63029-7	B	Clear cartridge indicator	3.78	3.27	3.15
606-CML64029-1	B	Red cartridge indicator	3.78	3.27	3.15
606-CML64029-2	B	Green cartridge indicator	3.78	3.27	3.15
606-CML64029-6	B	Yellow cartridge indicator	3.78	3.27	3.15
606-CML64029-5	B	White cartridge indicator	3.78	3.27	3.15



GLO-LITE NEON INDICATORS

DIMENSIONS (IN.)



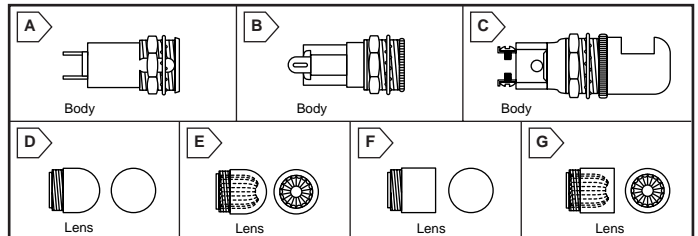
Specifications:

- Mounting hole: .375"
- Mounting centers: .500" min.
- Panel thickness: 1.25"
- Housing/lens material: Nylon
- Bezel (6073 only): chrome plated brass
- Wire leads: 22AWG stranded black 105°C PVC
- Electrical: 125VAC, built-in 30KΩ 1/4W resistor
- UL Recognized, CSA Certified

For quantities greater than listed, call for quote.

MOUSER STOCK NO.	Fig.	Color	Description	Price Each		
				1	10	100
606-6063-001-534R	A	Red	Flat face with no bezel	2.75	2.38	2.29
606-6063-001-634R	B	Red	Conical face with no bezel	2.75	2.38	2.29
606-6073-001-534R	C	Red	Flat face with chrome bezel	3.80	3.29	3.16
606-6073-001-634R	D	Red	Conical face with chrome bezel	3.80	3.29	3.16
606-6073-001-634W	D	White	Conical face with chrome bezel	3.80	3.29	3.16

T-2 & T-3 1/4 MINIATURE RELAMPABLE INDICATORS



Specifications:

- Mounting hole: .313"
- Mounting centers: .469" min.
- Panel thickness: .218" max.
- Lockwasher: nickel plated bronze
- Housing material: black nickel plated brass
- Hex nut: nickel plated brass
- Lens: high temperature lexan
- Lens shank: nickel plated brass

For quantities greater than listed, call for quote.

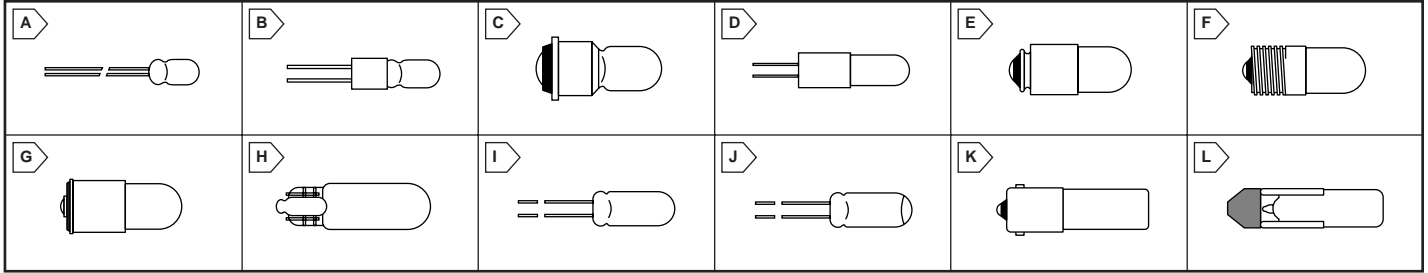
MOUSER STOCK NO.	Fig.	Description	Price Each		
			1	10	100
606-5100-822	A	Solder lug terminals, no resistor	3.18	2.76	2.65
606-5100-823	A	Screw type terminals, no resistor	5.32	4.64	4.46
606-5100-824	A	.250" quick connect terminals, no resistor	5.09	4.41	4.24
606-5100-832	A	Solder lug terminals, 25KΩ resistor	7.26	6.24	6.00
606-5100-834	A	.250" quick connect terminals, 25KΩ resistor	7.26	6.29	6.05
606-5100-842	A	Solder lug terminals, 100KΩ resistor	7.12	6.17	5.73
606-5100-844	A	.250" quick connect terminals, 100KΩ resistor	7.17	6.21	5.98
606-5200-222	B	Solder lug terminals, no resistor	5.88	5.09	4.90
606-5200-232	B	Solder lug terminals, 22KΩ resistor	13.39	11.61	11.16
606-5200-242	B	Solder lug terminals, 100KΩ resistor	13.66	11.84	11.38
606-900-200	C	Instrument lite, solder lug terminals	15.39	13.34	12.82

Lenses (for 606-5100 and 606-5200 series, shown above) For quantities greater than listed, call for quote.

MOUSER STOCK NO.	Fig.	Description	Price Each		
			1	10	100
606-25P-306R	D	Transparent red dome	1.01	.88	.85
606-25P-306A	D	Transparent amber dome	1.01	.88	.85
606-25P-306G	D	Transparent green dome	1.01	.88	.85
606-25P-306C	D	Transparent clear dome	1.01	.88	.85
606-25P-307R	D	Translucent red dome	1.01	.88	.85
606-25P-307G	D	Translucent green dome	1.01	.88	.85
606-25P-307Y	D	Translucent yellow dome	1.01	.88	.85
606-25P-307W	D	Translucent white dome	1.01	.88	.85
606-25P-326R	E	Transparent red fluted dome	1.01	.88	.85
606-25P-326A	E	Transparent amber fluted dome	1.01	.88	.85
606-25P-326G	E	Transparent green fluted dome	1.01	.88	.85
606-25P-326C	E	Transparent clear fluted dome	1.01	.88	.85
606-25P-606A	F	Transparent amber cylindrical	1.01	.88	.85
606-25P-606R	F	Transparent red cylindrical	1.01	.88	.85
606-25P-606G	F	Transparent green cylindrical	1.01	.88	.85
606-25P-606C	F	Transparent clear cylindrical	1.01	.88	.85
606-25P-607R	F	Translucent red cylindrical	1.01	.88	.85
606-25P-607G	F	Translucent green cylindrical	1.01	.88	.85
606-25P-607Y	F	Translucent yellow cylindrical	1.01	.88	.85
606-25P-607W	F	Translucent white cylindrical	1.01	.88	.85
606-25P-626R	G	Transparent red fluted cylindrical	1.01	.88	.85
606-25P-626A	G	Transparent amber fluted cylindrical	1.01	.88	.85
606-25P-626G	G	Transparent green fluted cylindrical	1.01	.88	.85
606-25P-626C	G	Transparent clear fluted cylindrical	1.01	.88	.85

NEW!

Incandescent Lamps



T-3/4 Wire Terminal Lamps

For quantities greater than listed, call for quote.

Type	MOUSER STOCK NO.	Fig.	Volts	Amps	M.S.C.P.	(Hrs) Life	Price Each		
							1	10	100
6833	606-CM6833	A	5.0	.060	.050	25,000	1.46	1.27	1.22
6833AS15	606-CM6833AS15	A	5.0	.060	.050	25,000	1.54	1.34	1.24
7153	606-CM7153	A	5.0	.115	.150	40,000	1.51	1.31	1.26
7153AS15	606-CM7153AS15	A	5.0	.115	.150	40,000	1.58	1.37	1.31

T-1 Bi-Pin Base (.05" Spacing)

For quantities greater than listed, call for quote.

Type	MOUSER STOCK NO.	Fig.	Volts	Amps	M.S.C.P.	(Hrs) Life	Price Each		
							1	10	100
7265	606-CM7265	B	5.0	.060	.150	5,000	1.99	1.73	1.66
7680	606-CM7680	B	5.0	.060	.030	60,000	1.90	1.64	1.58
7683	606-CM7683	B	5.0	.060	.050	25,000	1.53	1.32	1.27
7715	606-CM7715	B	5.0	.115	.150	40,000	1.83	1.59	1.53
7839	606-CM7839	B	28.0	.024	.150	4,000	2.17	1.88	1.81

T-1 Bi-Pin Base (.100" Spacing)

For quantities greater than listed, call for quote.

Type	MOUSER STOCK NO.	Fig.	Volts	Amps	M.S.C.P.	(Hrs) Life	1	10	100
8-2402	606-CM8-2402	B	28.0	.024	.150	4,000	6.28	5.44	5.24

T-1 Sub-Midget Flange Base

For quantities greater than listed, call for quote.

Type	MOUSER STOCK NO.	Fig.	Volts	Amps	M.S.C.P.	(Hrs) Life	Price Each		
							1	10	100
682	606-CM682	C	5.0	.060	.030	60,000	1.93	1.67	1.61
685	606-CM685	C	5.0	.060	.050	25,000	2.22	1.92	1.85
718	606-CM718	C	5.0	.115	.150	40,000	2.03	1.76	1.69
6839	606-CM6839	C	28.0	.024	.130	4,000	2.10	1.82	1.75

T-1 Wire Terminal (.145" Height)

For quantities greater than listed, call for quote.

Type	MOUSER STOCK NO.	Fig.	Volts	Amps	M.S.C.P.	(Hrs) Life	Price Each		
							1	10	100
7152	606-CM7152	A	5.0	.115	.150	40,000	1.22	1.06	1.02
7152AS15	605-CM7152AS15	A	5.0	.115	.150	40,000	1.51	1.31	1.26

T-1 Wire Terminal (.25" Height)

For quantities greater than listed, call for quote.

Type	MOUSER STOCK NO.	Fig.	Volts	Amps	M.S.C.P.	(Hrs) Life	Price Each		
							1	10	100
680	606-CM680	A	5.0	.060	.030	60,000	1.11	.96	.92
683	606-CM683	A	5.0	.060	.050	25,000	1.08	.93	.90
683AS15	606-CM683AS15	A	5.0	.060	.050	25,000	1.16	1.00	.96
715	606-CM715	A	5.0	.115	.150	40,000	1.19	1.03	.99
715AS15	606-CM715AS15	A	5.0	.115	.150	40,000	1.27	1.10	1.06
7219	606-CM7219	A	12.0	.060	.150	10,000	1.82	1.57	1.51
7220	606-CM7220	A	18.0	.026	.150	10,000	1.86	1.62	1.55
6838	606-CM6838	A	28.0	.024	.150	4,000	1.70	1.48	1.42

T-1 1/4 Bi-Pin Base (.100" Spacing)

For quantities greater than listed, call for quote.

Type	MOUSER STOCK NO.	Fig.	Volts	Amps	M.S.C.P.	(Hrs) Life	1	10	100
7646	606-CM7646	D	14.0	.080	.500	1,000	2.49	2.16	2.08
7632	606-CM7632	D	28.0	.040	.320	1,000	2.49	2.16	2.08

T-1 1/4 Bi-Pin Base (.125" Spacing)

For quantities greater than listed, call for quote.

Type	MOUSER STOCK NO.	Fig.	Volts	Amps	M.S.C.P.	(Hrs) Life	Price Each		
							1	10	100
7361	606-CM7361	D	5.0	.060	.050	25,000	1.54	1.33	1.28
7328	606-CM7328	D	6.0	.200	.600	1,000	1.21	1.05	1.01
7377	606-CM7377	D	6.3	.075	.230	1,000	1.21	1.05	1.01
7381	606-CM7381	D	6.3	.200	.400	20,000	1.08	.93	.90
7371	606-CM7371	D	12.0	.040	.120	10,000	1.14	.99	.95
7373	606-CM7373	D	14.0	.100	.500	10,000	1.08	.94	.90
7382	606-CM7382	D	14.0	.080	.300	15,000	1.09	.95	.91
7327	606-CM7327	D	28.0	.040	.340	4,000	.95	.82	.79
7374	606-CM7374	D	28.0	.040	.150	10,000	1.22	1.06	1.02
7387	606-CM7387	D	28.0	.040	.300	7,000	.96	.84	.80
7876	606-CM7876	D	28.0	.060	.340	25,000	1.11	.96	.92

T-1 3/4 Midget Groove Base

For quantities greater than listed, call for quote.

Type	MOUSER STOCK NO.	Fig.	Volts	Amps	M.S.C.P.	(Hrs) Life	Price Each		
							1	10	100
379	606-CM379	E	6.3	.200	.400	20,000	1.16	1.00	.96
398	606-CM398	E	6.3	.200	.550	5,000	1.06	.92	.88
336	606-CM336	E	14.0	.080	.500	1,500	1.11	.96	.92
386	606-CM386	E	14.0	.080	.300	15,000	1.11	.96	.92
334	606-CM334	E	28.0	.040	.340	4,000	.95	.82	.79
388	606-CM388	E	28.0	.040	.300	7,000	1.14	.99	.95

T-1 3/4 Midget Screw Base

For quantities greater than listed, call for quote.

Type	MOUSER STOCK NO.	Fig.	Volts	Amps	M.S.C.P.	(Hrs) Life	Price Each		
							1	10	100
1769	606-CM1769	F	2.5	.200	.200	5,000	1.09	.95	.91
373	606-CM373	F	14.0	.080	.500	1,500	1.19	1.03	.99
8362	606-CM8362	F	14.0	.080	.300	15,000	1.09	.95	.91
335	606-CM335	F	28.0	.040	.340	4,000	.98	.85	.82
399	606-CM399	F	28.0	.040	.300	7,000	1.06	.92	.88

T-1 3/4 Midget Flange Base

For quantities greater than listed, call for quote.

Type	MOUSER STOCK NO.	Fig.	Volts	Amps	M.S.C.P.	(Hrs) Life	Price Each		
							1	10	100
338	606-CM338	G	2.7	.060	.040	6,000	1.01	.88	.84
3150	606-CM3150	G	5.0	.060	.150	5,000	1.37	1.18	1.14
7333	606-CM7333	G	5.0	.060	.050	25,000	.93	.81	.78
7335	606-CM7335	G	5.0	.115	.150	40,000	.93	.81	.78
328	606-CM328	G	6.0	.200	.600	1,000	.93	.81	.78
345	606-CM345	G	6.0	.040	.030	1,000	.98	.85	.82
349	606-CM349	G	6.3	.200	.550	5,000	.90	.78	.75
381	606-CM381	G	6.3	.200	.400	20,000	1.27	1.10	1.06
344	606-CM344	G	10.0	.014	.002	50,000	1.32	1.14	1.10
367	606-CM367	G	10.0	.040	.080	5,000	1.13	.98	.94
394	606-CM394	G	12.0	.040	.120	10,000	1.01	.88	.84
330	606-CM330	G	14.0	.080	.500	1,500	.66	.57	.55
382	606-CM382	G	14.0	.080	.300	15,000	.91	.79	.76
8918	606-CM8918	G	14.0	.100	.500	10,000	1.06	.92	.88
370	606-CM370	G	18.0	.040	.150	10,000	1.19	1.03	.99
327	606-CM327	G	28.0	.040	.340	4,000	.50	.43	.42
376	606-CM376	G	28.0	.060	.340	25,000	.79	.68	.66
385	606-CM385	G	28.0	.040	.150	10,000	.90	.78	.75
387	606-CM387	G	28.0	.040	.300	7,000	.47	.40	.39
7341	606-CM7341	G	28.0	.065	.650	5,000	.95	.82	.79

T-1 3/4 Wedge Base

For quantities greater than listed, call for quote.

Type	MOUSER STOCK NO.	Fig.	Volts	Amps	M.S.C.P.	(Hrs) Life	Price Each		
							1	10	100
86	606-CM86	H	6.3	.200	.400	20,000	.74	.64	.62
73	606-CM73	H	14.0	.080	.300	15,000	.61	.53	.51
85	606-CM85	H	28.0	.040	.300	7,000	.58	.50	.48

T-1 3/4 Wire Terminal

For quantities greater than listed, call for quote.

Type	MOUSER STOCK NO.	Fig.	Volts	Amps	M.S.C.P.	(Hrs) Life	Price Each		
							1	10	100
2182	606-CM2182	I	14.0	.080	.300	40,000	.53	.46	.44
1764	606-CM1764	I	28.0	.040	.340	4,000	.61	.53	.51
2187	606-CM2187	I	28.0	.040	.300	7,000	.56	.49	.47

TL-1 3/4 Wire Terminal, Lens End

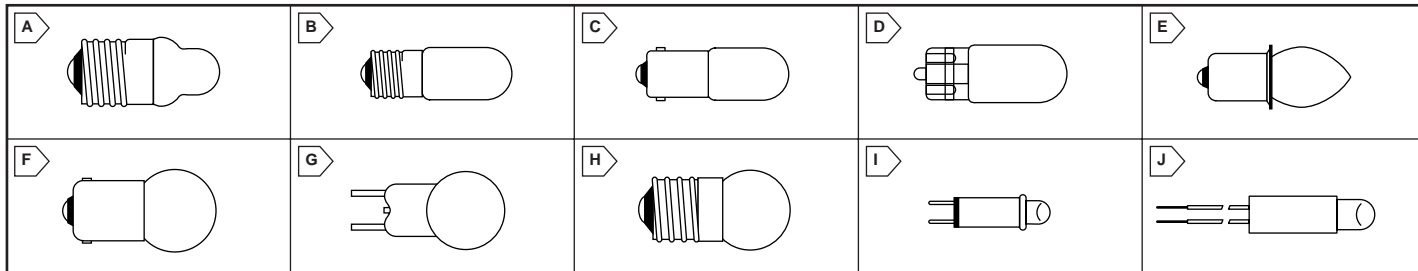
For quantities greater than listed, call for quote.

Type	MOUSER STOCK NO.	Fig.	Volts	Amps	M.S.C.P.	(Hrs) Life	Price Each		
							1	10	100
8-374	606-CM8-374	J	2.5	.350	---	3,000	5.67	4.92	4.73

T-2 Miniature Bayonet Base

For quantities greater than listed, call for quote.

Type	MOUSER STOCK NO.	Fig.	Volts	Amps	End Foot Candles	(Hrs) Life	Price Each		
							1	10	100
24MB	606-CM24MB	K	24.0	.073	3000	1,000	1.41	1.23	1.18
28MB	606-CM28MB	K	28.0	.040	1600	5,000	1.41	1.23	1.18
60MB	606-CM60MB	K	60.0	.050	2200	7,500	1.51</		



INCANDESCENT LAMPS

GTL-3 Miniature Screw Base, Lens End

For quantities greater than listed, call for quote.

Type	MOUSER STOCK NO.	Fig.	Volts	Amps	M.S.C.P.	(Hrs) Life	Price Each		
							1	10	100
222	606-CM222	A	2.25	.250	---	5	.76	.66	.63

GTL-3 Miniature Screw Base, Lens End

For quantities greater than listed, call for quote.

Type	MOUSER STOCK NO.	Fig.	Volts	Amps	M.S.C.P.	(Hrs) Life	Price Each		
							1	10	100
40	606-CM40	B	6.3	.150	.500	3,000	.71	.61	.59
46	606-CM46	B	6.3	.250	.900	3,000	.87	.75	.72
1821	606-CM1821	B	28.0	.170	3.400	500	2.22	1.92	1.85
1823	606-CM1823	B	48.0	.100	3.000	1,000	1.98	1.71	1.65

T-3 1/4 Miniature Bayonet Base

For quantities greater than listed, call for quote.

Type	MOUSER STOCK NO.	Fig.	Volts	Amps	M.S.C.P.	(Hrs) Life	Price Each		
							1	10	100
49	606-CM49	C	2.0	.060	.040	1,000	.96	.84	.80
43	606-CM43	C	2.5	.500	.500	3,000	.93	.81	.78
45	606-CM45	C	3.2	.350	.500	3,000	1.22	1.06	1.02
1850	606-CM1850	C	5.0	.090	.250	1,500	1.88	1.63	1.57
44	606-CM44	C	6.3	.250	.900	3,000	.41	.35	.34
47	606-CM47	C	6.3	.150	.500	3,000	.38	.33	.31
755	606-CM755	C	6.3	.150	.330	20,000	.88	.77	.74
1847	606-CM1847	C	6.3	.150	.380	5,000	.53	.46	.44
1866	606-CM1866	C	6.3	.250	.650	5,000	.76	.66	.63
1816	606-CM1816	C	13.0	.330	3.00	1,000	.72	.63	.60
756	606-CM756	C	14.0	.080	.310	15,000	1.04	.90	.87
1815	606-CM1815	C	14.0	.200	1.40	3,000	.98	.85	.82
1891	606-CM1891	C	14.0	.240	2.000	500	.60	.52	.50
1893	606-CM1893	C	14.0	.330	2.000	7,500	.60	.52	.50
1813	606-CM1813	C	14.4	.100	.860	1,000	.66	.57	.55
1892	606-CM1892	C	14.4	.120	.750	1,000	.87	.75	.72
1818	606-CM1818	C	24.0	.170	3.300	250	2.17	1.88	1.81
313	606-CM313	C	28.0	.170	3.500	500	.87	.75	.72
757	606-CM757	C	28.0	.080	.620	7,500	.80	.70	.67
1819	606-CM1819	C	28.0	.040	.3400	2,500	.79	.68	.66
1820	606-CM1820	C	28.0	.100	1.60	1,000	.79	.68	.66
1829	606-CM1829	C	28.0	.070	1.00	1,000	.74	.64	.62
1864	606-CM1864	C	28.0	.170	3.000	1,500	.87	.75	.72
1822	606-CM1822	C	36.0	.100	2.100	1,000	1.01	.88	.84
1828	606-CM1828	C	37.5	.050	.650	3,000	2.09	1.81	1.74
1835	606-CM1835	C	55.0	.050	1.100	5,000	2.38	2.06	1.98
8-3995	606-CM8-3995	C	130.0	.020	.200	2,000	4.50	3.90	3.75

T-3 1/4 Wedge Base

For quantities greater than listed, call for quote.

Type	MOUSER STOCK NO.	Fig.	Volts	Amps	M.S.C.P.	(Hrs) Life	Price Each		
							1	10	100
259	606-CM259	D	6.30	.250	.650	5,000	.51	.45	.43
161	606-CM161	D	14.0	.190	1.000	1,500	.71	.61	.59
168	606-CM168	D	14.0	.350	3.000	1,500	.64	.56	.54
194	606-CM194	D	14.0	.270	2.000	1,500	.50	.43	.42
656	606-CM656	D	28.0	.060	.620	2,500	.66	.57	.55

B-3 1/2 Single Contact Miniature Flange Base

For quantities greater than listed, call for quote.

Type	MOUSER STOCK NO.	Fig.	Volts	Amps	M.S.C.P.	(Hrs) Life	Price Each		
							1	10	100
PR4	606-PR4	E	2.33	.270	.400	10	.66	.57	.55
PR2	606-PR2	E	2.38	.500	.800	15	.64	.56	.54
PR6	606-PR6	E	2.47	.300	.450	30	.66	.57	.55
PR3	606-PR3	E	3.57	.500	1.500	15	.66	.57	.55
PR7	606-PR7	E	3.70	.300	.900	30	.79	.68	.66

G-3 1/2 Miniature Bayonet Base

For quantities greater than listed, call for quote.

Type	MOUSER STOCK NO.	Fig.	Volts	Amps	M.S.C.P.	(Hrs) Life	Price Each		
							1	10	100
219	606-CM219	F	6.3	.250	.500	5,000	2.06	1.78	1.71
51	606-CM51	F	7.5	.220	1.000	1,000	.77	.67	.64
53	606-CM53	F	14.4	.120	1.000	1,000	.80	.69	.67
1450	606-CM1450	F	24.0	.035	.230	3,000	1.30	1.13	1.08
356	606-CM356	F	28.0	.170	3.50	500	1.74	1.50	1.45

G-3 1/2 Miniature Bi-Pin Base

For quantities greater than listed, call for quote.

Type	MOUSER STOCK NO.	Fig.	Volts	Amps	M.S.C.P.	(Hrs) Life	Price Each		
							1	10	100
12	606-CM12	G	6.3	.150	.350	5,000	.95	.82	.79
19	606-CM19	G	14.4	.100	.900	1,000	1.30	1.13	1.08

G-3 1/2 Miniature Screw Base

For quantities greater than listed, call for quote.

Type	MOUSER STOCK NO.	Fig.	Volts	Amps	M.S.C.P.	(Hrs) Life	Price Each		
							1	10	100
14	606-CM14	H	2.47	.300	.500	15	1.83	1.59	1.53
13	606-CM13	H	3.70	.300	.980	15	1.56	1.35	1.30
50	606-CM50	H	7.50	.220	1.000	1,000	1.06	.92	.88

CM 20 Series Lens End Assemblies

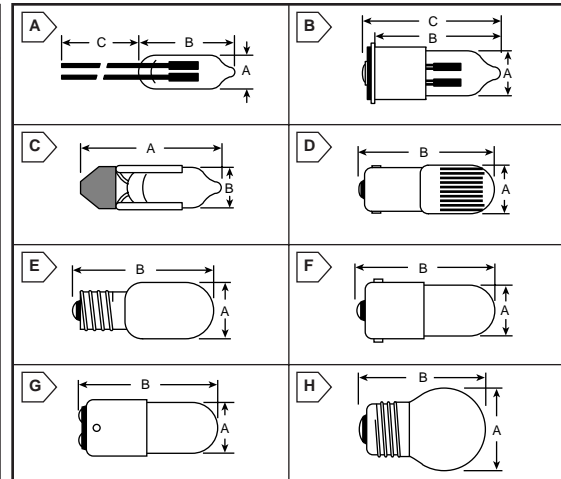
For quantities greater than listed, call for quote.

Type	MOUSER STOCK NO.	Fig.	Volts	Amps	M.S.C.P.	(Hrs) Life	Price Each		
							1	10	100
CM20-1	606-CM20-1	I	2.5	TL-1 3/4	.350	10,000	15.32	13.28	12.77
CM20-17	606-CM20-17	I	5.0	TL-1 3/4	.180	10,000	23.64	20.49	19.70
CM20-4	606-CM20-4	J	2.5	TL-1 3/4	.350	10,000	19.31	16.73	16.09
CM20-20	606-CM20-20	J	5.0	TL-1 3/4	.220	10,000	28.80	24.96	24.00
CM20-6	606-CM20-6	J	6.0	TL-1 1/2	.200	10,000	13.20	11.44	11.00

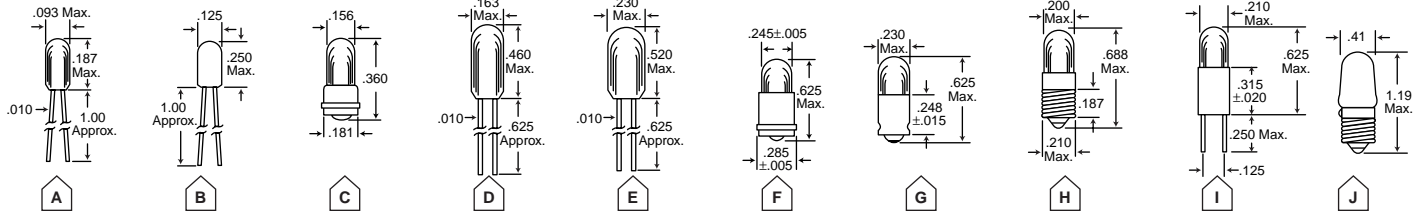
NEON LAMPS

For quantities greater than listed, call for quote.

MOUSER STOCK NO.	Fig.	Type	Lamp Size	Breakdown Voltage (max.) AC/DC	Design Current (mA)	Dimensions (In.)			Price Each		
						A (max.)	B (max.)	C (min.)	1	10	100
606-2ML	A	NE-38S	T-1 1/4	65/90	.300	.156	.395	1.000	.90	.78	.75
606-A1A	A	NE-2	T-2	65/90	.600	.244	1.000	1.000	.38	.33	.32
606-A1B	A	---	T-2	65/90	.300	.244	1.000	1.000	.36	.31	.30
606-A2B	A	NE-2V	T-2	65/90	.700	.244	.980	1.000	.50	.43	.41
606-A9A	A	NE-2E	T-2	65/90	.700	.244	.750	2.000	.34	.30	.29
606-A1C	A	---	T-2	95/135	1.200	.244	.500	1.000	.40	.35	.33
606-A2A	A	---	T-2	65/90	.700	.244	.750	2.000	.50	.43	.41
606-C2A	A	NE-2H	T-2	95/135	1.900	.244	.750	2.000	.42	.36	.35
606-C2A-T	A	NE-2HT	T-2	95/135	1.900	.244	.750	2.000	.50	.43	.41
606-A1G	B	---	T-1 3/4	65/90	.300	.250	.525	.625	2.84	2.46	2.34
606-A1H	B	---	T-1 3/4	95/135	1.200	.250	.525	.625	2.90	2.51	2.42
606-C7A	B	NE-2D	T-1 3/4	65/90	.700	.250	.828	.938	2.61	2.27	2.18
606-C9A	B	NE-2J	T-1 3/4	95/135	1.900	.250	.828	.938	2.40	2.08	2.00
606-K1A	C	NE-84	T-2	95/135	1.900	1.030	.290	---	3.47	3.01	2.89
606-B1A	D	NE-51	T-3 1/4	65/90	.300	.430	1.188	---	.99	.86	.83
606-B2A	D	NE-51H	T-3 1/4	95/135	1.200	.430	1.188	---	.99	.86	.83
606-B2A-R	D	NE-51HR	T-3 1/4	95/135	1.200	.430	1.188	---	3.42	2.96	2.85
606-B7A	E	NE-45	T-4 1/2	65/90	2.000	.588	1.530	---	6.12	5.31	5.10
606-B6A	F	NE-21	T-4 1/2	65/90	2.000	.588	1.500	---	6.57	5.69	5.47
606-B9A	G	NE-48	T-4 1/2	65/90	2.000	.588	1.500	---	5.51	4.78	4.60
606-J9A	H	NE-56	S-11	60/85	5.000	1.420	2.250	---	8.62	7.47	7.19
606-J5A	H	NE-30	S-11	60/85	8.000	1.420	2.250	---	11.91	10.32	9.92



Incandescent Lamps and Lamp Holders



INCANDESCENT LAMPS

T-3/4 Wire Terminal Lamps

For quantities greater than listed, call for quote.

Type	MOUSER STOCK NO.	Fig.	Volts	Amps	M.S.C.P.	(Hrs) Life	Price Each		
							1	10	100
7153	353-7153	A	5.0	.115	.150	40K	.91	.79	.76

T-1 Wire Terminal Lamps

683	353-0683	B	5.0	.060	.050	100K	.65	.56	.54
7220	353-7220	B	18.0	.026	.150	16K	1.12	.90	.82

T-1 Midget Flanged Lamps

718	353-0718	C	5.0	.115	.150	40K	1.08	.95	.86
6839	353-6839	C	28.0	.024	.130	16K	1.53	1.33	1.21

T-1 1/4 Wire Terminal Lamps

634	353-0634	D	6.0	.200	.630	1K	.59	.40	.37
8627	353-8627	D	28.0	.040	.320	1K	.81	.56	.52

T-1 3/4 Wire Terminal Lamps

2200	353-2200	E	5.0	.060	.050	100K	.81	.56	.52
2180	353-2180	E	6.3	.040	.020	50K	.32	.28	.26
2112	353-2112	E	6.3	.200	.550	3K	.50	.43	.42
2174	353-2174	E	12.0	.040	.120	10K	.33	.29	.28
2187	353-2187	E	28.0	.040	.300	25K	.34	.29	.28
1764	353-1764	E	28.0	.040	.340	7K	.37	.32	.31

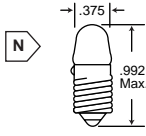
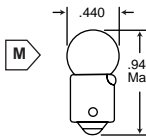
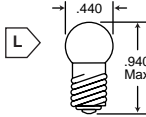
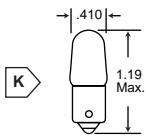
T-1 3/4 Midget Flanged Lamps

7333	353-7333	F	5.0	.060	.050	100K	.56	.49	.47
3150	353-3150	F	5.0	.060	.150	5K	.82	.71	.68
345	353-0345	F	6.0	.040	.030	100K	.59	.51	.49
328	353-0328	F	6.0	.200	.600	1K	.56	.49	.47
381	353-0381	F	6.3	.200	.400	50K	.70	.62	.56
349	353-0349	F	6.3	.200	.550	3K	.54	.47	.45
344	353-0344	F	10.0	.014	.002	10K	.79	.68	.66
367	353-0367	F	10.0	.040	.080	5K	.68	.59	.56
382	353-0382	F	14.0	.080	.300	50K	.55	.47	.45
330	353-0330	F	14.0	.080	.500	750	.49	.43	.39
385	353-0385	F	28.0	.040	.200	50K	.54	.47	.45
387	353-0387	F	28.0	.040	.300	25K	.52	.45	.41
327	35ND023	F	28.0	.040	.340	7K	.58	.50	.45

T-1 3/4 Midget Groove Lamps

379	353-0379	G	6.3	.200	.400	50K	.70	.60	.58
388	353-0388	G	28.0	.040	.300	25K	.68	.59	.57
334	353-0334	G	28.0	.040	.340	7K	.57	.49	.47

DIMENSIONS (IN.)



T-1 3/4 Midget Screw Lamps

For quantities greater than listed, call for quote.

Type	MOUSER STOCK NO.	Fig.	Volts	Amps	M.S.C.P.	(Hrs) Life	Price Each		
							1	10	100
---	35ND350	H	12.0	.050	.150	3K	.57	.46	.49
---	353-0373	H	14.0	.080	.500	750	.71	.62	.51
---	35ND435	H	24.0	.050	.500	3K	.57	.49	.44
---	353-0399	H	28.0	.040	.300	25K	.64	.55	.53
---	353-0335	H	28.0	.040	.340	7K	.59	.51	.49

T-1 3/4 Bi-Pin Base Lamps

7361	353-7361	I	5.0	.060	.050	100K	.92	.80	.77
7328	353-7328	I	6.0	.200	.600	1K	.73	.63	.61
7381	353-7381	I	6.3	.200	.400	50K	.65	.56	.54
7382	353-7382	I	14.0	.080	.300	50K	.65	.57	.55
7327	353-7327	I	28.0	.040	.340	7K	.57	.49	.47

T-3 1/4 Miniature Screw Lamps

48	35ND007	J	2.0	.060	.040	1K	.56	.49	.47
40	35ND008	J	6.3	.150	.520	3K	.43	.36	.32
---	35ND041	J	12.0	.050	.150	3K	.47	.39	.36
---	35ND042	J	12.0	.100	.500	5K	.47	.39	.36

T-3 1/4 Miniature Bayonet Lamps

49	35ND014	K	2.0	.060	.040	1K	.58	.47	.43
44	35ND001	K	6.3	.250	.900	3K	.29	.25	.23
1891	35ND006	K	14.0	.240	2.000	500	.36	.31	.30
1819	35ND002	K	28.0	.040	.340	1K	.47	.40	.37
1829	35ND005	K	28.0	.070	1.000	1K	.44	.38	.37
757	35ND004	K	28.0	.080	.620	7.5K	.48	.42	.40

G-3 1/2 Miniature Screw Lamps

50	35ND020	L	7.5	.220	1.000	1K	.61	.40	.37
----	---------	---	-----	------	-------	----	-----	-----	-----

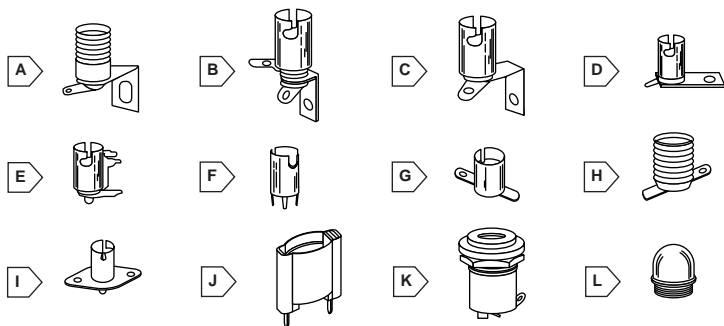
G-3 1/2 Miniature Bayonet Lamp

53	35ND017	M	14.4	.120	1.000	1K	.48	.36	.32
----	---------	---	------	------	-------	----	-----	-----	-----

GTL-3 Miniature Screw Lamp

222	35ND003	N	2.25	.250	---	5	.46	.36	.32
-----	---------	---	------	------	-----	---	-----	-----	-----

LAMP SOCKETS



For quantities greater than listed, call for quote.

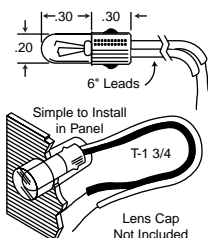
MOUSER STOCK NO.	Fig.	Type	Price Each		
			1	10	100
35LH002	A	T-3 1/4 screw-mini, non-insulated	.78	.60	.54
35LH003	B	T-3 1/4 bayonet-mini, insulated	1.63	1.35	1.23
35LH004	C	T-3 1/4 bayonet-mini, non-insulated	1.63	1.35	1.23
35LH005	D	T-3 1/4 bayonet-mini, insulated	1.63	1.35	1.23
35LH006	E	T-3 1/4 bayonet-mini, insulated	2.18	1.82	1.65
35LH007	F	T-3 1/4 bayonet-mini, insulated	1.67	1.39	1.27
35LH008	G	T-3 1/4 bayonet-mini, insulated	1.44	1.20	1.09
35LH010	H	T-3 1/4 screw-mini, insulated	.45	.35	.27
35LH011	I	T-3 1/4 bayonet-mini, insulated	1.63	1.35	1.23
352-1020	J	T-3 1/4 plastic screw, PC mount	1.09	.84	.76
352-0100	K	T-1 3/4 midget screw, insulated	1.48	1.24	1.12
352-0101	L	Red plastic lens for part no. 352-0100	.47	.32	.29
352-0102	L	Green plastic lens for part no. 352-0100	.47	.32	.29
352-0103	L	Clear plastic lens for part no. 352-0100	.47	.32	.29
352-0104	L	Orange plastic lens for part no. 352-0100	.49	.32	.29

LOW-COST INDICATOR SYSTEMS

Wire color indicates volt/amp rating. Matches with lens cap at right.

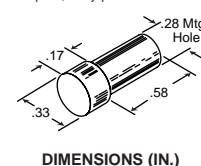
DIMENSIONS (IN.)

MOUSER STOCK NO.	Wire Color	Volts	Amps	Price Each				Call For Quote
				1	10	100	500	
35LS026	Green	2	.060	.49	.37	.32		Call For Quote
35LS065	White	6	.050	.49	.37	.32		
35LS102	Red	10	.020	.49	.37	.32		
35LS124	Blue	12	.035	.49	.37	.32		
35LS126	Yellow	12	.060	.49	.37	.32		
35LS284	Orange	28	.040	.49	.37	.32		



Plastic Lens Caps for Installation Over Miniature Lamps

These plastic lens caps are combined with the miniature lamps, at the left, to make indicator lights. Tapered for quick, easy press-fit installation. Use NE-2 lamps or T-1 3/4 lamps.



Hi-Rel Round Lens Cap

MOUSER STOCK NO.	Cap Color	Price Each			
		1	10	100	500
35LT001	Red	.17	.09	.078	Call For Quote
35LT002	Green	.17	.09	.078	Call For Quote
35LT003	White	.17	.09	.078	Call For Quote

Photo Cells, Flash Tubes, and Transformers

PHOTO CONDUCTIVE CELLS

Applications:

- Exposure meter
- Electronic shutter
- Color temperature reading
- Density reading
- Optical switch
- Photoelectric lamp

Specifications:

- Operating temperature: -30°C to +70°C
- Cadmium sulfide (CdS) construction
- Soldering: 230°C for 3 sec. (max.) at 3mm from cell
- High sensitivity, high stability

* Light resistance measured at 10 lux and 2856°K color temperature.
 * Dark resistance measured 10 seconds after removal of 100 lux illumination.

76C Series

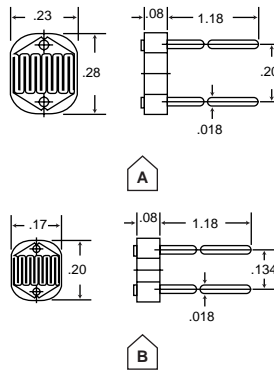
For quantities greater than listed, call for quote.

MOUSER STOCK NO.	Fig.	Voltage (Max.)	Light * Resistance (Ω)	Dark ** Resistance (Ω)	Maximum Power @ 25°C	Peak Response Wavelength (nm)	Price Each		
							1	10	100
338-76C348	A	150	3K - 20K	500K	50mW	560	1.84	1.53	1.39
338-76C569	A	200	20K - 100K	20M	100mW	550	1.84	1.53	1.39
338-76C59	A	200	20K - 50K	20M	100mW	550	2.19	1.83	1.66

54C Series

MOUSER STOCK NO.	Fig.	Voltage (Max.)	Light * Resistance (Ω)	Dark ** Resistance (Ω)	Maximum Power @ 25°C	Peak Response Wavelength (nm)	Price Each		
							1	10	100
338-54C348	B	150	3K - 20K	500K	30mW	560	1.54	1.28	1.16
338-54C679	B	200	50K - 200K	20M	60mW	550	1.54	1.28	1.16
338-54C69	B	200	50K - 100K	20M	60mW	550	1.73	1.44	1.31
338-54C79	B	200	100K - 200K	20M	60mW	550	1.73	1.44	1.31

DIMENSIONS (IN.)



CDS PHOTO CELL

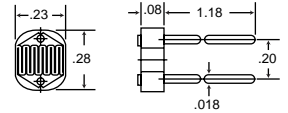
Applications:

- Light and lamp controls
- Automatic grain feeders
- Security lighting
- "Electric - Eyes"

Specifications:

- 12K Ω min. @ 1FV/CDL
- 250Ω @ 100FV/CDL
- Maximum power dissipation: 75mW

DIMENSIONS (IN.)



MOUSER STOCK NO.	Price Each		
	1	10	100
524-611-J4-805	3.15	2.84	

NEON LAMPS

- Neon lamps are used for indicators and circuit control applications
- Ideal for line-voltage AC and 90V and up DC applications

High Brightness

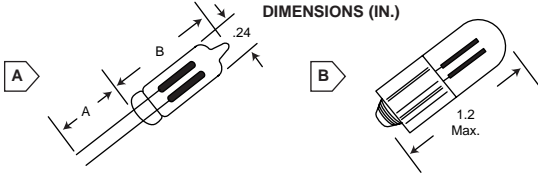
For quantities greater than listed, call for quote.

MOUSER STOCK NO.	Fig.	Type	Breakdown Voltage (Max.) AC/DC	Nominal		Dimensions (In.)		Price Each		
				Current (mA)	Watts (W)	A	B	1	10	100
36NE004	A	A1C	95/135	1.2	1/7	1.18	.47	.28	.22	.18
36NE005	A	NE-2H	95/135	1.2	1/7	1.18	.63	.29	.25	.20

Standard

For quantities greater than listed, call for quote.

MOUSER STOCK NO.	Fig.	Type	Breakdown Voltage (Max.) AC/DC	Current (mA)	Watts (W)	Dimensions (In.) A	Dimensions (In.) B	Price Each		
								1	10	100
36NE006	A	A1B	65/90	.3	1/25	1.18	.47	.23	.18	.15
36NE007	A	NE-2E	65/90	.3	1/25	1.18	.63	.24	.20	.16
36NE002	A	NE-2	65/90	.5	1/25	1.18	.68	.23	.18	.15
36NE003	A	NE2B	65/90	.5	1/25	1.18	.47	.23	.18	.15
36NE051	B	NE-51	45/85	.3	1/25	---	---	2.31	1.93	1.75



ULTRA-MINIATURE 110 VAC NEON INDICATOR

Hi-Rel

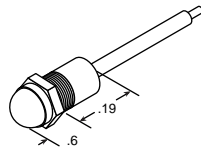
- Panel mount neon indicators, chrome-plated body, bezel, and facing nut
- Rated 55-60 volts; 100K resistor required
- Mounting hole: .27 inches • Lead length: 5 inches • Color: Clear

For quantities greater than listed, call for quote.

MOUSER STOCK NO.	Price Each		
	1	10	100
35MP100	3.19	2.66	2.42

DIMENSIONS (IN.)

(Resistor not included)

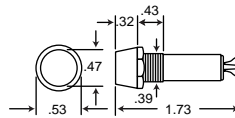


110 VAC NEON INDICATOR

- Sealed plastic neon indicator with internal dropping resistor
- Chrome-plated facing nut

For quantities greater than listed, call for quote.

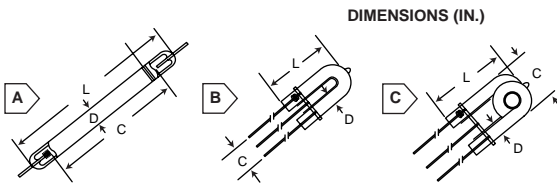
DIMENSIONS (IN.)



MOUSER STOCK NO.	Lens Color	Price Each		
		1	10	100
36HN010	Red	2.14	1.78	1.62
36HN012	Amber	2.14	1.78	1.62
361-7671	Red	1.71	1.42	1.30
361-7672	Amber	1.71	1.42	1.30
361-7673	Green	1.71	1.42	1.30

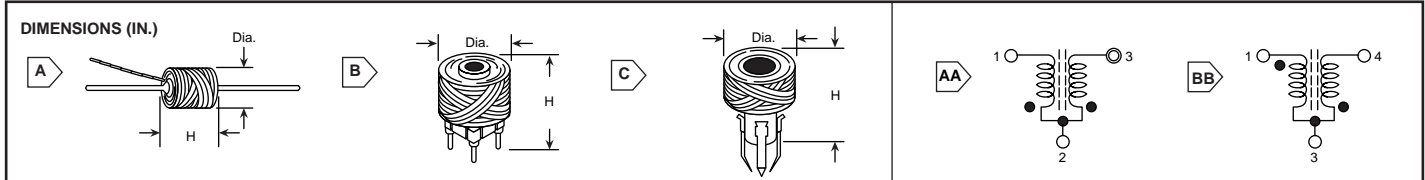
FLASH TUBES

For quantities greater than listed, call for quote.



MOUSER STOCK NO.	Fig.	Type	Dimensions (In.)			Nominal Anode Voltage	Min. Trigger Voltage	Flash Energy (WS)	Life Flashes	Price Each		
			L	D	C					1	10	100
36FT050	A	FT-4050	1.97	.16	1.38	360	4KV	60	3,000	3.50	2.90	2.65
36FT106	B	FT6531	1.50	.24	.53	300	6KV	60	10,000	3.70	3.10	2.80
361-4425	B	U-4425	1.26	.24	.39	300	4KV	4	1,000,000	5.85	5.32	4.84
361-8538	B	U-8538	1.77	.31	.67	400	6KV	100	10,000	6.92	6.29	5.72
361-0118	C	FT-118	1.77	.24	1.02	450	6KV	125	10,000	12.25	11.13	10.12
361-0218	C	FT-218	2.16	.31	1.30	450	6KV	250	10,000	15.17	13.79	12.54

H/V TRIGGER TRANSFORMERS



• See capacitor section of this catalog for related products For quantities greater than listed, call for quote.

MOUSER STOCK NO.	Fig.	Schematic	Volts		Dimensions (In.)		Price Each			
			Input	Output	Height	Dia.	1	10	100	500
422-1304	A	AA	300	4000	.60	.35	2.06	1.75	1.58	1.44
422-2304	B	BB	300	4000	.63	.50	2.79	2.45	2.23	2.02

• See capacitor section of this catalog for related products For quantities greater than listed, call for quote.

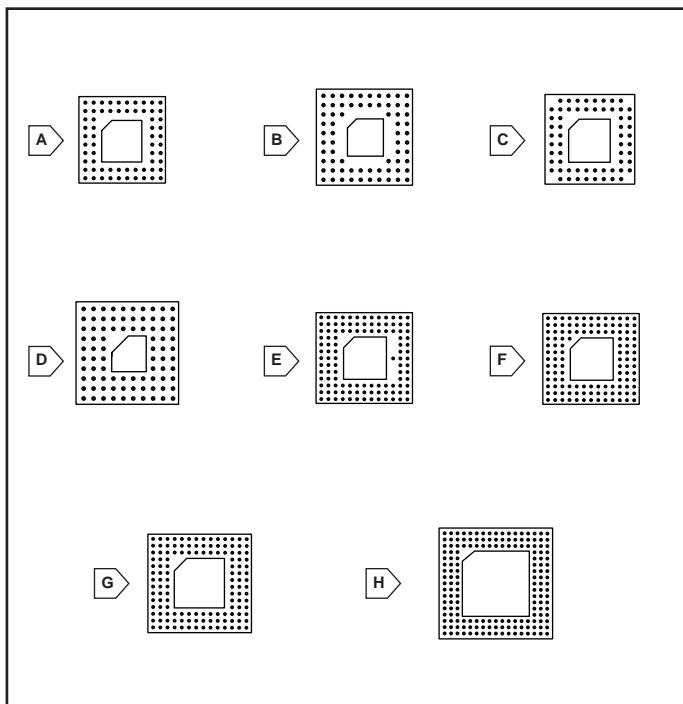
MOUSER STOCK NO.	Fig.	Schematic	Volts		Dimensions (In.)		Price Each			
			Input	Output	Height	Dia.	1	10	100	500
422-3306	C	BB	300	6000	.75	.60	2.79	2.45	2.23	2.02
422-2310	B	BB	300	10000	.75	.85	2.87	2.51	2.27	2.08

IC Sockets

(LED DISPLAY, PGA, ZIF, AND TEST)

PRECISION MACHINED PGA SOCKETS

(Very Low Insertion Force)



Mouser pin grid array sockets employ a new 3 finger inner contact that reduces insertion force to no more than 1 ounce, the lowest in the industry. These sockets are a superior product and an exceptional value. For pin grids not listed, call your Mouser Service Representative.

Specifications:

- Current rating: 3 amp
- Temperature range: -55°C to +150°C
- Flammability rating: UL 94V-0

Materials:

- Insulator: PPS plastic
- Contact: gold plated, beryllium copper
- Pin: tin plated brass

Features:

- Very low insertion force, through the use of new precision machined 3 finger inner contacts
- Precision machined, non-wicking, closed bottom sleeve protects against solder/flux contamination

MOUSER STOCK NO.	Fig.	No. of Pins	Pin Grid	Termination	Price Each			
					1	100	500	1000
151-6410	A	64	10 x 10	PCB	3.74	3.40	3.09	Call For Quote
151-6810	B	68	10 x 10	PCB	3.94	3.59	3.27	
151-6811	C	68	11 x 11	PCB	3.94	3.59	3.27	
151-8410	D	84	10 x 10	PCB	4.75	4.32	3.93	
151-11413	E	114	13 x 13	PCB	6.27	5.71	5.20	
151-12113	F	121	13 x 13	PCB	6.62	6.03	5.49	
151-13214	G	132	14 x 14	PCB	7.18	6.53	5.94	
151-16817	H	168	17 x 17	PCB	9.14	8.31	7.56	

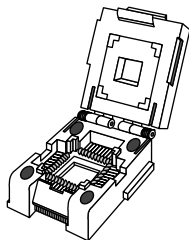
PLCC TEST / BURN-IN SOCKETS

Specifications:

- Contact resistance: 30mΩ (max.)
- Insulating resistance: 1TΩ
- Operating temperature: -55°C to +170°C
- Typical life: 10,000 insertions (min.)

Features:

- Spring activated cover
- High temperature molding
- Gold over nickel plating



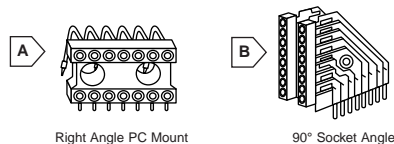
MOUSER STOCK NO.	No. of Pins	Description	Price Each
151-2044	44	PLCC test / burn-in socket	35.10
151-2068	68	PLCC test / burn-in socket	49.75
151-2084	84	PLCC test / burn-in socket	53.45

AUGAT LED NUMERIC DISPLAY SOCKETS

For Pc Mounting

Features:

- Machined contacts
- Gold plated contacts
- Tapered entry socket
- PC mounting



MOUSER STOCK NO.	Fig.	No. of Pins	Spacing (In.)	Price Each			
				1	25	100	500
506-514-AG7D	A	14	.3 x .1	4.14	3.68	3.56	Call
506-516-AG7D	A	16	.3 x .1	4.58	4.07	3.95	For
506-516-AG21D	B	16	.3 x .1	9.78	8.69	8.42	Quote

3M ZERO INSERTION FORCE IC SOCKETS (ZIP SOCKETS)

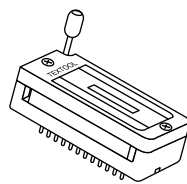
The ZIP DIPII which protects IC's during test, burn-in and EPROM programming while maintaining a secure connection with a lever-operated metal cam. The econo ZIP socket is ideal for field replacement, programming, reprogramming, and IC updates. The IC is held securely by a screwdriver rotation of a cam for security against vibration or accidental unloading.

Features:

- OEM/end user applications
- Used for testing, programming and reprogramming

Specifications:

- Temperature rating: -55°C to 105°C
- Current rating: 1A - 5A
- Dielectric withstand voltage: 1000Vrms



ZIP DIP Socket

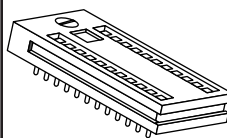
ZIP DIP Sockets

For quantities greater than listed, call for quote.

MOUSER STOCK NO.	No. of Pins	Contact Plating	Price Each		
			1	5	10
517-333962	14	Gold	10.98	9.88	9.33
517-333965	14	Tin	9.52	8.57	8.09
517-334062	16	Gold	11.97	10.77	10.17
517-334065	16	Tin	10.27	9.24	8.73
517-334162	18	Gold	12.95	11.66	11.01
517-334165	18	Tin	11.02	9.92	9.37
517-334262	20	Gold	13.95	12.56	11.86
517-334265	20	Tin	11.78	10.60	10.01
517-334362	22	Gold	14.94	13.46	12.70
517-334365	22	Tin	12.52	11.27	10.64
517-334462	24	Gold	15.93	14.34	13.54
517-334465	24	Tin	13.27	11.94	11.28
517-334562	28	Gold	17.91	16.12	15.22
517-334565	28	Tin	14.78	13.30	12.56
517-334662	40	Gold	23.88	21.49	20.30
517-334665	40	Tin	19.30	17.37	16.41
517-449362	64	Gold	40.90	36.81	34.77
517-449365	64	Tin	33.88	30.49	28.80

Econo ZIP Sockets

MOUSER STOCK NO.	No. of Pins	Contact Plating	Price Each		
			1	5	10
517-48393	14	Gold	4.68	4.21	3.98
517-48397	14	Tin	4.41	3.97	3.75
517-48403	16	Gold	4.82	4.34	4.10
517-48407	16	Tin	4.56	4.10	3.88
517-48423	20	Gold	5.85	5.27	4.97
517-48427	20	Tin	5.51	4.96	4.68
517-48443	24	Gold	6.59	5.93	5.60
517-48447	24	Tin	6.20	5.58	5.27
517-48453	28	Gold	7.42	6.68	6.31
517-48457	28	Tin	6.97	6.27	5.70
517-48463	40	Gold	9.77	8.79	8.30
517-48467	40	Tin	9.11	8.20	7.74
517-52013	48	Gold	11.33	10.20	9.63
517-52017	48	Tin	10.55	9.50	8.97
517-52003	64	Gold	14.47	13.02	12.30
517-52007	64	Tin	13.44	12.10	11.42



Econo ZIP Socket

Jewell Panel Meters and Loop Power Modules

DIGITAL PANEL METERS

All of these Jewell Digital Panel meters have a common operating temperature of 0°C to +50°C and a storage temperature of -20°C to +70°C. The following features apply to all of the digital panel meters except where indicated otherwise.

Display:

- Type: 7-segment reflective, dual edge, liquid crystal display
- Digits: 3 1/2 (1999) digits, 0.5" (12.7mm) height
- Polarity: displays (-) automatically
- Annunciators: 9 VDC powered meters have "LO BAT" when power <7.2 VDC
- Decimal point: user selectable 3 position decimal point
- Over/under range: over range displays "1" and under range displays "-1"
- Hold: feature optional

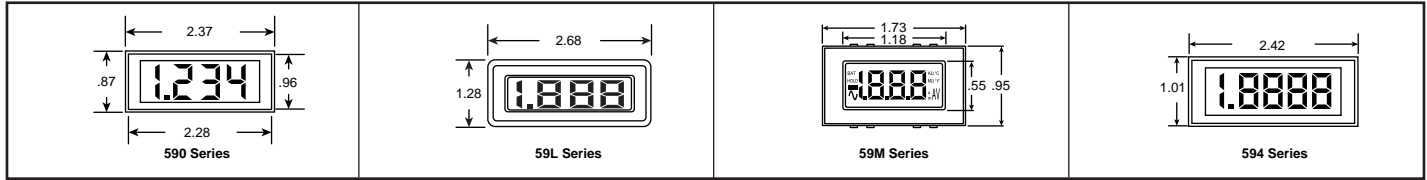
Operation:

- Accuracy: $\pm (0.1\% \text{ rdg} + 2 \text{ digit})$ with 5 VDC power
 $\pm (0.1\% \text{ rdg} + 1 \text{ digit})$ with 9 VDC power
- Conversion rate: 2.5 per second
- Common mode voltage: ± 1 volt (maximum)
- Common mode reject: > 86 decibels
- Zeroing: automatic

Analog Inputs:

- Full scale range: standard $\pm 200\text{mVDC}$, $\pm 2 \text{ VDC}$, $\pm 20 \text{ VDC}$
- Configuration: true differential input and reference
- Protection: 250 VDC or 150 VRMS continuous
300 VDC intermittent (maximum)
- Bias current: 1pA (typical), 10pA (maximum)
- Impedance: 10M Ω (typical)

DIMENSIONS (IN.)



590 Series 3-1/2 Digit LCD Meters

- Mounting: surface mount

For quantities greater than listed, call for quote.

MOUSER STOCK NO.	Jewell Part No.	Input Ranges	Supply Voltage (VDC)	Display Type	Price Each	
					1	5
564-5900	5900100090	200mV	9	No backlight	49.00	46.55
564-5901	5900100040	200mV	5	No backlight	49.00	46.55
564-5902	5900100190	2V	9	No backlight	49.00	46.55
564-5903	5900100140	2V	5	No backlight	49.00	46.55
564-5904	5900102091	200mV	9	Positive green backlight	68.25	64.84
564-5905	5900102041	200mV	5	Positive green backlight	68.25	64.84
564-5906	5900104091	200mV	9	Negative green backlight	68.25	64.84
564-5907	5900104041	200mV	5	Negative green backlight	68.25	64.84
564-5908	5900106091	200mV	9	Negative red backlight	69.75	66.26
564-5909	5900106041	200mV	5	Negative red backlight	69.75	66.26

59M Series Miniature 3-1/2 Digit LCD Meters

Display:

- Annunciators: 12 different user selectable annunciators. (BAT, °C, °F, -, m, u, M Ω , k Ω , V, A, Hold 1 and Hold 2)

Analog Inputs:

- Impedance: 10M Ω (typ.), 1M Ω (min.)

Operation:

- Accuracy: $\pm (0.2\% \text{ rdg} + 1 \text{ digit})$ with +5 VDC

- Mounting: mini snap-in bezel mounting

For quantities greater than listed, call for quote.

MOUSER STOCK NO.	Jewell Part No.	Input Ranges	Supply Voltage (VDC)	Display Type	Price Each	
					1	5
564-59M0	59M0660090	200mV	9	No backlight	47.00	44.65
564-59M1	59M0660040	200mV	5	No backlight	47.00	44.65
564-59M2	59M0660190	2V	9	No backlight	47.00	44.65
564-59M3	59M0660140	2V	5	No backlight	47.00	44.65

594 Series 4-1/2 Digit LCD Meters

Display:

- Digits: 4 1/2 (19999) digits, 0.5" (13mm) height
- Annunciator: 9 VDC powered meters have "BT" when power <7.2 VDC
- Decimal point: user selectable 4 position decimal point
- Hold: standard feature

Operation:

- Accuracy: $\pm (0.06\% \text{ rdg} + 1 \text{ digit})$ with 9 VDC power or +5 VDC
- Conversion: 2 per second

Analog Inputs:

- Bias current: 50pA (typical)
- Full scale range: standard $\pm 200\text{mVDC}$, $\pm 2 \text{ VDC}$
- Impedance: 1000M Ω

- Mounting: surface mount

For quantities greater than listed, call for quote.

MOUSER STOCK NO.	Jewell Part No.	Input Ranges	Supply Voltage (VDC)	Display Type	Price Each	
					1	5
564-5940	594H100040	200mV	5	No backlight	110.00	104.50
564-5941	594H100140	2V	5	No backlight	110.00	104.50
564-5942	594H100090	200mV	9	No backlight	110.00	104.50
564-5943	594H100190	2V	9	No backlight	110.00	104.50

59L Series 3-1/2 Digit LED Meters

Display:

- Type: 7-segment reflective LED
- Hold: standard feature

Analog Inputs:

- Configuration: bipolar, fully differential
- Protection: 350 VDC, $\pm 10 \text{ VDC}$ (200mV range)
- Bias current: 100pA typical, 1pA typical (200mV range)
- Impedance: 1M Ω typical, 1000M Ω typical (200mV range)

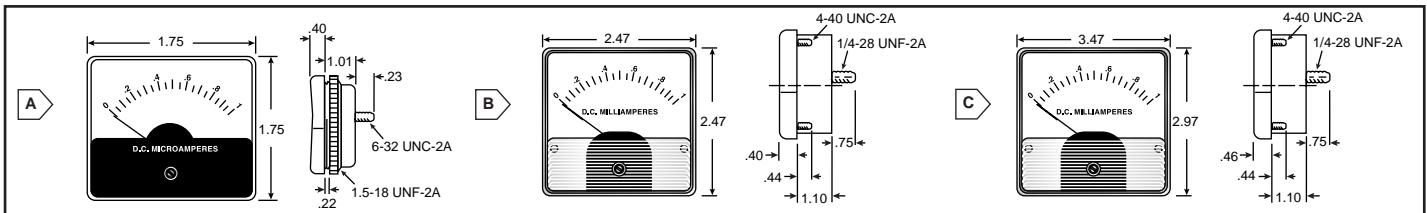
Operation:

- Conversion rate: 3.4 per second

- Mounting: surface mount / window mount

For quantities greater than listed, call for quote.

MOUSER STOCK NO.	Jewell Part No.	Input Ranges	Supply Voltage (VDC)	Display Type	Price Each	
					1	5
564-59L0	59LH558040	200mV	5	Green LED	70.00	66.50
564-59L1	59LH558140	2V	5	Green LED	70.00	66.50
564-59L2	59LH559040	200mV	5	Red LED	70.00	66.50
564-59L3	59LH559140	2V	5	Red LED	70.00	66.50



DIMENSIONS (IN.)

2% ANALOG PANEL METERS

Features:

- Meets ANSI C39.1 requirements
- External zero adjuster on cover
- One year limited warranty
- Compact self-shielded taut band movement
- Threaded stud-type terminals
- 1-1/2" meter mounted by single mounting ring which screws onto case barrel, 2-1/2" and 3-1/2" meters available in 4 stud mountings

1-1/2" Surface Mount Panel Meters

MOUSER STOCK NO.	Fig.	Type of Meter	Range	Standard Resistance	Price Each		
					1	5	10
564-MS1-5015	A	DC Voltmeter	0-15	1000	45.00	40.00	Call

2-1/2" Surface Mount Panel Meters

MOUSER STOCK NO.	Fig.	Type of Meter	Range	Standard Resistance	Price Each		
					1	5	10
564-72T-5030	B	DC Voltmeter	0-30	1000	48.00	43.20	Call

3-1/2" Surface Mount Panel Meters

MOUSER STOCK NO.	Fig.	Type of Meter	Range	Standard Resistance	Price Each		
					1	5	10
564-73T-3010	C	DC Ammeter	0-10	.005	48.00	43.20	Call
564-73T-5015	C	DC Voltmeter	0-15	1000	48.00	43.20	Call

LPM SERIES LOOP POWER MODULES

Specifications:

- Supply voltage: powered by milliamp control loop for LPM-590-20, LPM-59M-66, and LPM-594-20; +5VDC at 200mA for LPM-59L-55
- Input: 4-20mA DC for all series
- Accuracy: $\pm 0.1\%$ reading ± 2 digit for LPM-590-20 and LPM-59L-20; $\pm 0.6\%$ reading ± 1 digit for LPM-594-20; $\pm 0.2\%$ reading ± 1 digit for LPM-59M-66
- Adjustments: SPAN (GAIN) and ZERO (OFFSET) for all series

For quantities greater than listed, call for quote.

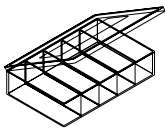
MOUSER STOCK NO.	Jewell Part No.	Description	Price Each	
			1	5
564-59020	LPM-590-20	Process loop for 590 Series meters	36.00	32.76
564-59M66	LPM-59M-66	Process loop for 59M Series meters	47.50	43.23

- Decimal point: user selectable 3 position for LPM-590-20, LPM-59M-66, and LPM-59L-55; user selectable 4 positions for LPM-594-20
- Operating temperature: 0°C to +50°C
- Storage temperature: -10°C to +60°C
- Connection: two pin screw terminal for LPM-590-20, LPM-59M-66, and LPM-594-20; four pin screw terminal for LPM-59L-55

For quantities greater than listed, call for quote.

MOUSER STOCK NO.	Jewell Part No.	Description	Price Each	
			1	5
564-59L55	LPM-59L-55	Process loop for 59L Series meters	36.00	32.76
564-59420	LPM-594-20	Process loop for 594 Series meters	42.25	38.45

Prototype Kits



- Designed for engineers, prototype and repair benches, school labs, short production runs, and hobbyists.
- No guesswork. Our kits spell out exactly what you get.
- Production quantities of all listed components are in stock. Call for Quote.
- Compare kits on this page with anyone else's and you will see why quality, price, selection, and convenience are reasons to purchase component kits from Mouser.

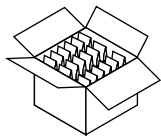
Capacitor Kits

MOUSER STOCK NO.	Type	Range of Values	Pieces in Each Kit	Description	Price Each
370-540-1	Tantalum, ±10%, 6.3-35 volt, radial	.1-100µF	120	10 each: .1, .15, .22, .33, .47, .68 (35WVDC), 5 each: 1.0 (35WVDC), 2.2, 4.7, 10, (25WVDC), 3.3, 4.7, 6.8, 22, (16WVDC), 33, (10WVDC), 15, 47, 100 (6.3WVDC)	49.95
370-140PFK-1	Polyester, ±10%, 100 volt, radial	.001-.47µF	175	10 each: .001, .0015, .002, .0022, .0033, .005, .01, .015, .02, .022, .033, .047, .05, .068, .1, .15, .22, 5 each: .47	23.95
370-140PFF-1	Polyester, ±2%, 100 volt, radial	.001-.1µF	120	10 each: .001, .0015, .0022, .0033, .0047, .01, .015, .022, .033, .047, .068, .1	49.95
370-GP50-1	Ceramic disc, 50 volt, radial	5pF-.1µF	360	20 each: 5, 10, 22, 33, 47, 68, 100, 220, 270, 330, 470, 500pF, .001, .002, .005, .01, .05, .1	29.95
370-GP500-1	Ceramic disc, 500 volt radial	5pF-.02µF	360	20 each: 5, 10, 22, 33, 47, 68, 82, 100, 220, 270, 330, 470, 500pF, .001, .002, .005, .01, .02	29.95
370-208-25	Miniature electrolytic radial	1-1,000µF	85	10 each: 1, 2.2, 3.3, 4.7, 10 (50WVDC), 5 each: 22 (50WVDC), 33, 47 (35WVDC), 100, 220, 470, 1000 (25WVDC)	33.95
370-PS-1	Polystyrene film, ±5%, 50WVDC	100-820pF	120	10 each: 100, 120, 150, 180, 220, 270, 330, 390, 470, 560, 680, 820 (axial leads)	24.95
370-PS-2	Polystyrene film, ±5%, 50WVDC	.001-.01µF	120	10 each: .001, .0012, .0015, .0018, .002, .0022, .0027, .0033, .0039, .005, .0068, .01 (axial leads)	24.95
370-140XAL-1	Miniature electrolytic axial	.47-1000µF	80	10 each: .47, 1.0 (50V), 5 each: 2.2, 3.3, 4.7, 10, 20, 220, (50V), 33, 470, (35VDC), 47, 100, 330, 1000, (25VDC)	29.95
370-140XAL-2	Miniature electrolytic axial	220-4700µF	25	5 each: 220 (50VDC), 330 (25VDC), 3 each: 470 (35VDC), 1000 (25VDC), 1000 (50VDC)	29.95
370-140XRL-1	Miniature electrolytic radial	1-1000µF	80	10 each: 1, 2.2, 4.7, 22 (50V), 10 each: 10, 47 (35V) 5 each: 100, 470, 1000 (50V), 220 (35V)	29.95
370-140MLR-1	Micro-miniature Electrolytic radial	.1-220µF	150	10 each: .1, .22, .33, .47, 1.0, 2.2, 3.3, 4.7, 10 (50V), 4.7, 22 (35V), 33 (25V), 47, 100 (16V), 220 (10V)	49.95
370-5982-1	Dipped Mica, ±5%	1-2000pF	120	5 each: 1, 2, 3 (300V), 5 each: 5, 10, 22, 33, 39, 47, 56, 75, 100, 220, 270, 330, 390, 470, 560, 680, 820, 1000, 1200, 1500, 2000, (500V)	86.25
5987-KIT3	SMT Polymer Alum., Low ESR	4.7-33µF	36	6 each: 33, 47, (6.3V), 6 each: 22, (8V), 6 each: 10, (12.5V), 6 each: 4.7, 6.8, (16V)	66.80

"C-PAC" ASSORTMENT

Capacitor Kits

"C-PAC" kits are the same as above but are packaged with 100 or 200 of each value.



MOUSER STOCK NO.	Type	Range of Values	Pieces in Each Kit	Description	Price Each
370-140PFK-C1	100V±10% polyester	.001-.005µF	600	100 each: .001, .0015, .002, .0022, .0033, .005	28.95
370-140PFK-C2	100V±10% polyester	.01-.047µF	600	100 each: .01, .015, .02, .022, .033, .047	36.95
370-140PFK-C3	100V±10% polyester	.05-.047µF	600	100 each: .05, .068, .1, .15, .22, .47	89.95
370-140PFK-C	100V±10% polyester	.001-.047µF	1800	100 each: All values listed above	134.95
370-GP50-C	50V ceramic disc	5pF-.1µF	3600	200 each: All values listed above in 370-GP50-1	89.95

Component Kits

MOUSER STOCK NO.	Type	Range of Values	Pieces in Each Kit	Description	Price Each
370-159-1	Solderless connectors	-----	180	18 types of connectors and disconnects, insulated	14.95
370-159-2	Solderless connectors	-----	180	18 types of connects and disconnects, non-insulated	14.95
370-333-1N1	Diode/rectifiers (1 amp)	50-1000PRV	140	20 each: 1N4001, 1N4002, 1N4003, 1N4004, 1N4005, 1N4006, 1N4007	29.95
370-LED-2	Light emitting diodes	-----	180	18 types T1, T 1 3/4, rectangle and square, clear and diffused lenses	33.95
370-333Z-1	Zener diodes (500mW)	5.6-24 Volt	100	5 each: of 20 values 5.6 to 24 volts, ±5%	33.95
370-332-1	Microprocessor crystals	23 types	46	2 each: 3.2768, 3.579545, 3.93216, 4.0, 4.096, 4.194304, 4.433, 4.9152, 5.0, 5.0688, 6.0, 6.144, 6.5536, 8.0, 10.0, 12.0, 12.069, 14.31818, 16.0, 18.0, 18.432, 19.2, 20.0MHz	89.95
370-44FM-1	Metric fuse kit	.5-10 amp	60	10 each: .5, 1, 2, 3, 5 and 10 amp	12.95
370-44FP-1	Standard fast acting fuses	1/4-5 amp	180	30 each: .25, .50, 1.0, 2.0, 3.0, 5.0 amp 250 volt	23.95
370-MOV-1	Metal oxide varistor kit	48-510V	205	3 each: VZA series: 48, 130, 150; VZC series: 130, 150; 2 each: VZC series: 250; VZD series: 130, 150, 275, 510	32.95
370-NTC-T2	NTC thermistors	100Ω to 50KΩ	60	5 each: 100, 200, 300, 500, 1K, 2K, 3K, 5K, 10K, 15K, 20K, 50K @ 25°C	29.95
370-RFC-1	RF choke (43LR series)	.22-1000µH	180	10 each: .22, .47, 1.0, 2.2, 3.3, 4.7, 10, 15, 22, 33, 47, 68, 100, 220, 330, 470, 680, 1000µH	49.95
370-EMCC	Epoxy miniature choke coils	.15µH to 1000µH	240	10 each: .15, .22, .33, .47, .68, 1.0, 1.5, 2.2, 3.3, 4.7, 6.8, 10, 15, 22, 33, 47, 68, 100, 150, 220, 330, 470, 680, 1000µH	89.95
370-ESCC	Epoxy small choke coils	.33 to 1000µH	240	10 each: .33, .47, .68, 1.0, 1.5, 2.2, 3.3, 4.7, 6.8, 10, 12, 15, 18, 22, 27, 33, 47, 100, 150, 220, 330, 470, 680, and 1000µH	89.95
370-TPV-1	Trim pots 6, 8, 10mm vertical	1KΩ to 500KΩ	180	10 each: 321-2100 series 6mm: 1K, 5K, 10K, 50K, 100K, 500K, (.05W) .32RM series 8mm: 1K, 5K, 10K, 100K, 500K, (.1W) 32R series 10mm: 1K, 5K, 10K, 50K, 100K, 500K, (.1W)	69.95
370-PT10	Trim pots 10mm, vert. & horiz.	500 to 500KΩ	180	10 each: 500, 1K, 5K, 10K, 25K, 50K, 100K, 250K, and 500K in both horizontal and vertical mount	69.95
370-TPH-1	Trim pots 6, 8, 10mm horizontal	1KΩ to 500KΩ	180	10 each: 321-2000 series 6mm: 1K, 5K, 10K, 50K, 100K, 500K, (.05W) 32RH series 8mm: 1K, 5K, 10K, 50K, 100K, 500K (.1W) 32R series 10mm: 1K, 5K, 10K, 50K, 100K, 500K, (.1W)	69.95
370-LIN-1	Linear IC kit	-----	76	5 each: LM311, LM324, LM339, LF353, LM358, LM393, NE555, NE556, MC1488, MC1489, ULN2003A	69.95
370-TRA-1	Transistors	-----	180	3 each: LF347, LF356, LM741, LM1458, CA3130, CA3140, CA3059	39.95
370-511-1	Transistors, power, TO-220	-----	90	5 each: MJE3055T, MJE13005, MJE13007, TIP29, TIP29C, TIP30, TIP31C, TIP32, TIP32C, TIP41C, TIP42, TIP42C, TIP48, TIP120, TIP121, TIP122, TIP125, and TIP131	89.99
370-SMD-1	Surface mount diode rectifiers	1amp, 50-800PRV	60	10 each: 1N4001, 1N4002, 1N4003, 1N4004, 1N4005, 1N4006	29.95
370-331-1	1 amp DIP silicon bridge rectifiers	50-800PRV	30	5 each: 50, 100, 200, 400, 600, 800PRV	29.95
370-VRG-1	Voltage regulator IC kit	5V-18V, variable	72	4 each: 7805, 7805A, 78M05, 78S05, 7905, 7808, 7908, 7812, 7812A, 78S12, 7912, 7815, 7915A, 7818, 7918, LM317T, LM337, LM723	59.95
370-331-2	200 PRV silicon bridge rectifiers	1-15 amp	80	10 each: 1, 1.5, 2, 3, 4, 6, 10, 15 (200PRV)	159.95
370-526-1	Semiconductor	-----	155	NTE replacements, 25 different types (replaces 63,703 devices)	249.95
370-526-2	Semiconductor	-----	125	NTE replacements, 25 different types (replaces 20,251 devices)	219.50
370-164-1	Binding post kit	-----	40	10 each: Red and black; 5 each: Blue, green, white, and yellow	49.95
561-M1991	Transistor hardware, nylon	-----	180	Assortment: 17 styles and configurations	28.33
561-M1992	Spacers/standoffs, nylon	-----	340	Assortment: 40 sizes and types	46.66
561-M1993	Shoulder washers, nylon	-----	300	Assortment: 30 sizes and types	28.33
561-M1994	PCB posts, nylon	-----	700	Assortment: 10 sizes and types	46.66
561-M1995	Cable clips, nylon	-----	140	Assortment: 15 sizes and types	28.33
561-M1996	Cable clamps, nylon	-----	290	Assortment: 18 sizes	46.66
561-M1997	Flat washers, nylon	-----	500	Assortment: over 40 sizes	28.33
561-M1998	Screws & nuts, nylon	-----	750	Assortment: over 40 sizes	46.66
561-M1999	Strain relief	-----	108	9 each: of the 12 most popular series	28.33
524-11-528	Metric hardware kit	2-4mm	108	2.0, 2.6, 3.0, and 4mm hardware	44.24
383-1425	Color coded wire jumper kit	#22 AWG	560	25 pieces of 14 lengths #22 AWG solid	12.58
538-KK-100	Modular interconnection kit	.100"	---	Designer/service kit for .100" center, K.K. series modular connectors	39.95
538-KK-156	Modular interconnection kit	.156"	---	Designer/service kit for .156" center, K.K. series modular connectors	39.95